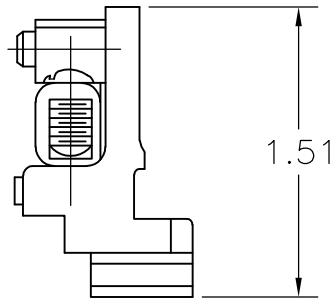
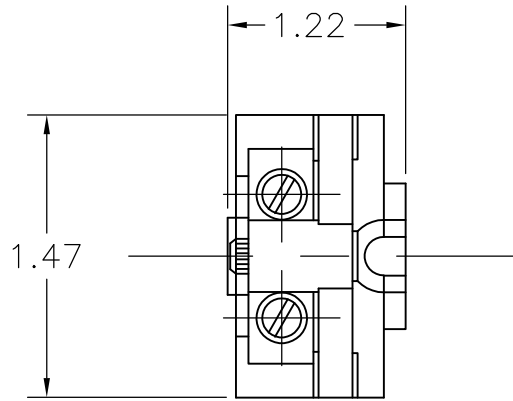


LOC	DIST	REVISIONS			
P	LTR	DESCRIPTION	DATE	DWN	APVD
	A1	REVISED PER ECO-11-004917	11MAR11	RK	HMR

1 MATERIAL: PHENOLIC




RELEASED FOR PUBLICATION

ALL RIGHTS RESERVED.

THIS DRAWING IS UNPUBLISHED.

By -
COPYRIGHT -

DIMENSIONS: INCHES	DWN RAGHAVENDRA 29SEP08	MATERIAL	1		FINISH	-	
	CHK MACE SAM 29SEP08	 TE Connectivity					
TOLERANCES UNLESS OTHERWISE SPECIFIED:	APVD MACE SAM 29SEP08						NAME 0222-**-H D SECTIONAL BLOCK
0 PLC ± -	PRODUCT SPEC	SIZE	CAGE CODE	DRAWING NO	RESTRICTED TO		
1 PLC ± -	-	A4	00779	C-1437390-9	-		
2 PLC ± -	APPLICATION SPEC	WEIGHT -					
3 PLC ± -	-	CUSTOMER DRAWING					
4 PLC ± -	-	SCALE	1:1		SHEET	1 OF 1	
ANGLES ± -	-					REV	A1

