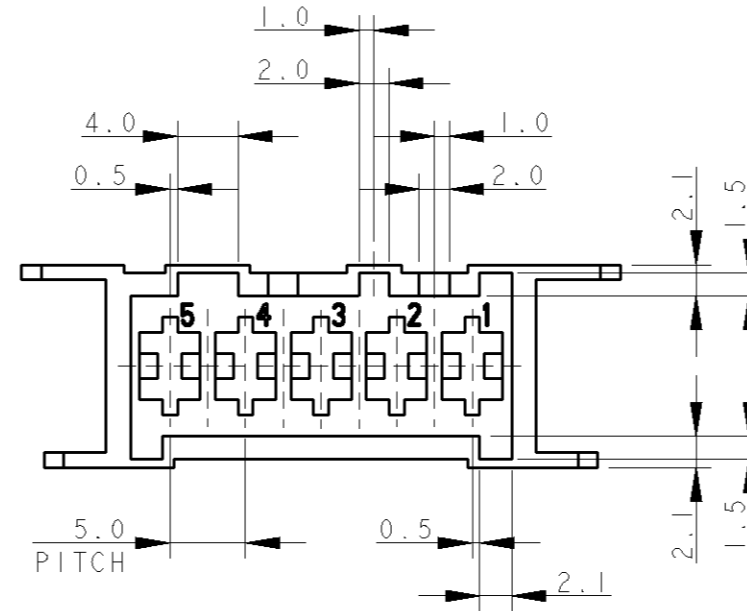


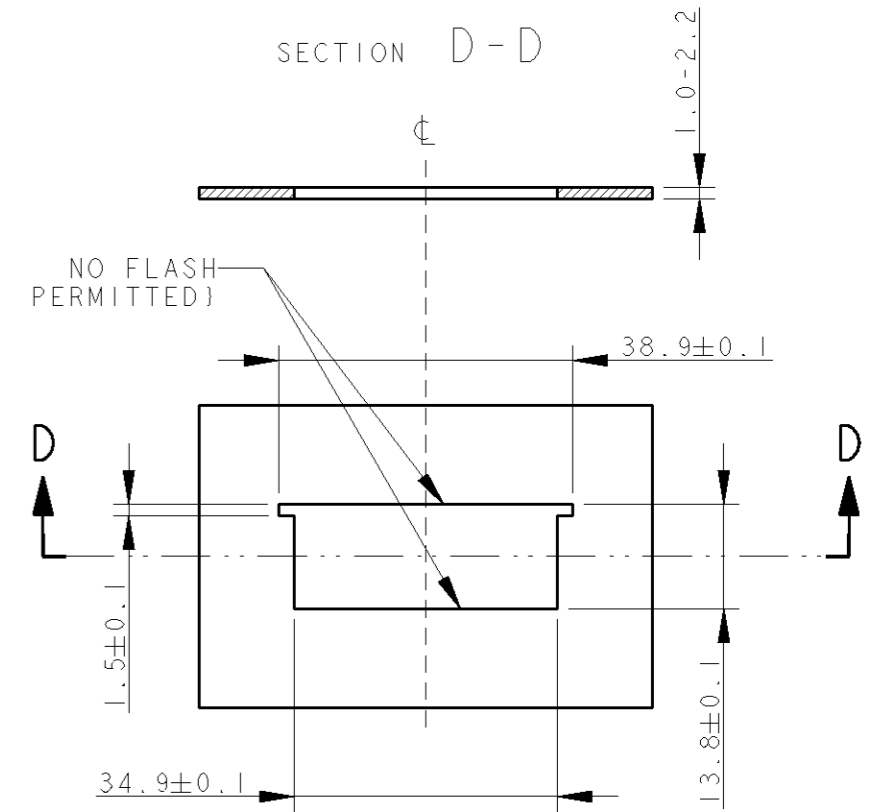
THIS DRAWING IS UNPUBLISHED. RELEASED FOR PUBLICATION 2003
 © COPYRIGHT 2003 BY TYCO ELECTRONICS CORPORATION. ALL RIGHTS RESERVED.

REVISIONS							
LOC	DIST	P	LTR	DESCRIPTION	DATE	DWN	APVD
		1		CHANGED LATCHING TYPE	18 NOV 2005	HY	GT
		0		P/N ASSIGNED	13 JAN 2006	HY	GT
		A		RELEASED FOR ECR-06-008618	02 MAY 2006	HY	GT
		B		ADDED -2 AND RELEASED, ECR-07-004530	13 APR 2007	HY	GT

POLARIZATION KEYS SCHEME

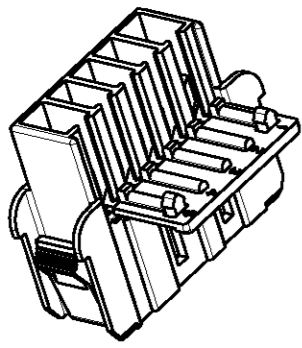


PANEL MOUNT DIMENSIONS
SCALE 1:1

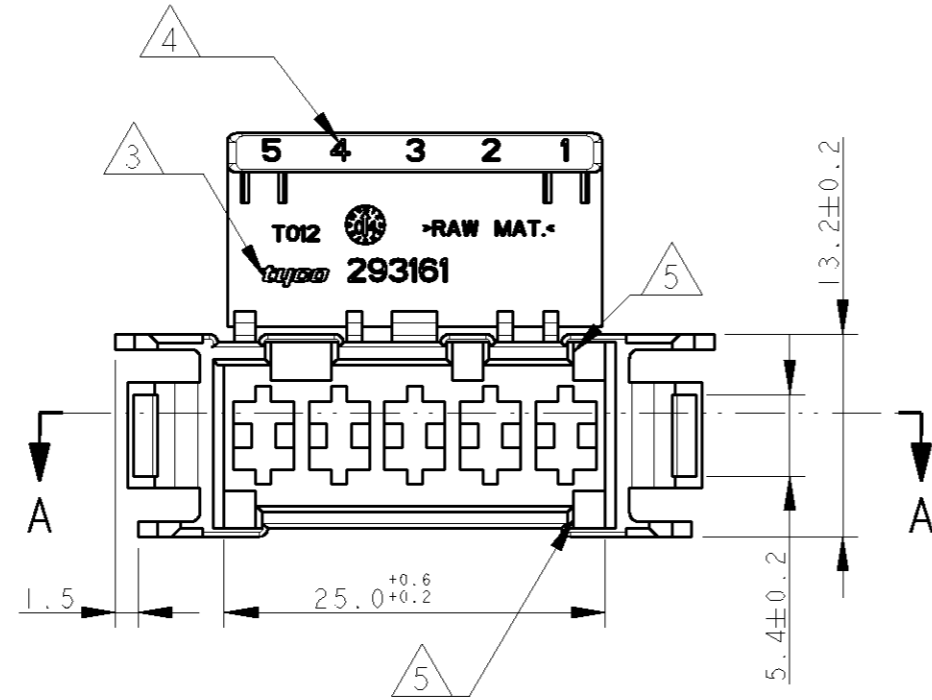
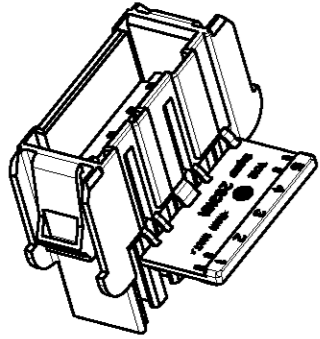


- 1 TYPICAL CAVITY SUITABLE FOR:
FASTIN-FASTON TAB CONTACTS 6.3 mm SRS;
P/N: 293041
- 2 PA UNFILLED, UL 94-V2,
- 3 TYCO TRADEMARK "LOGO" AND
TYCO ELECTRONICS "PART NUMBER"
OPTIONAL POSITION.
- 4 CIRCUIT IDENTIFICATION NUMBERS, 1 TO 5
- 5 POLARIZATION KEYS DIMENSIONS AND POSITIONS
ARE ACCORDING TO "RAST 5" NORM
- 6 PA UNFILLED UL 94 V2
ACCORDING TO IEC 60335-1 NORM.

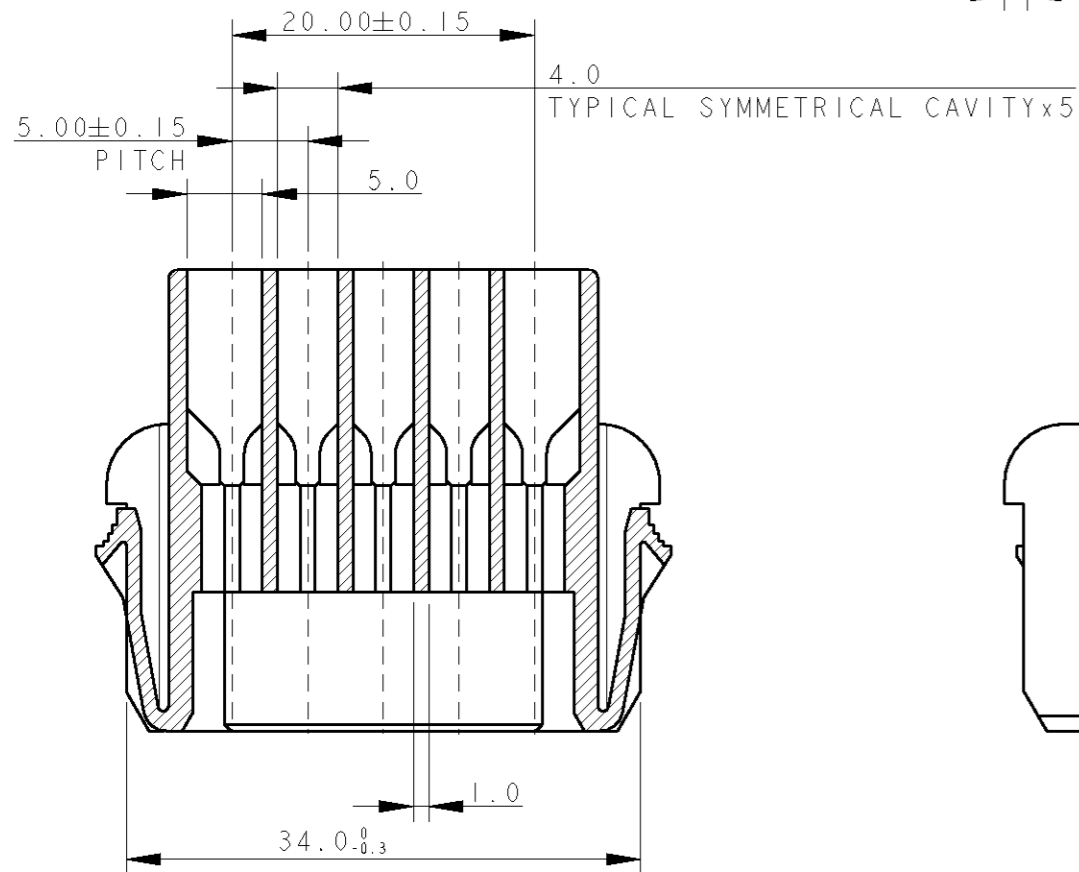
	NATURAL	SEE NOTE 6	293161-2	B
	NATURAL	SEE NOTE 2	293161-1	B
NOTE	COLOUR	MATERIAL	TYCO P/N	REV



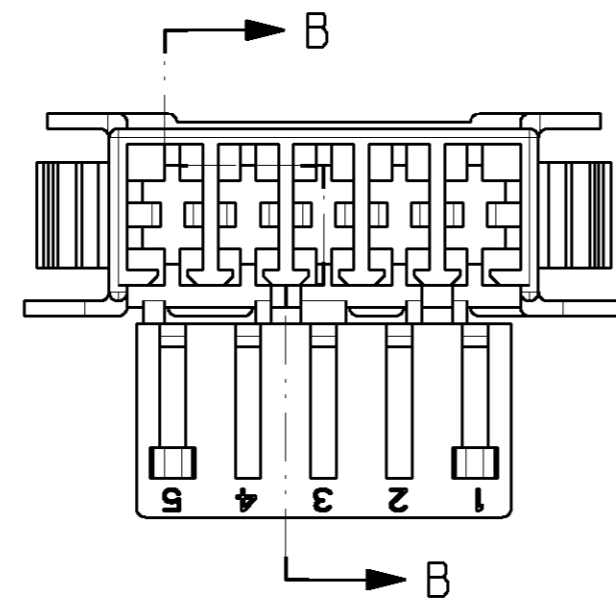
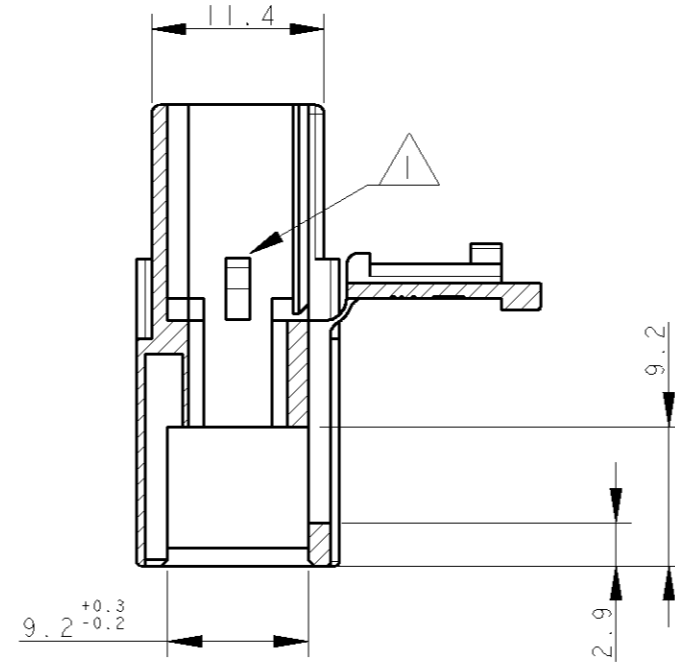
SCALE 1:1



SECTION A-A



SECTION B-B



THIS DRAWING IS A CONTROLLED DOCUMENT FOR TYCO ELECTRONICS CORPORATION
 IT IS SUBJECT TO CHANGE AND THE CONTROLLING ENGINEERING ORGANIZATION
 SHOULD BE CONTACTED FOR THE LATEST REVISION.

DIMENSIONS:	TOLERANCES UNLESS OTHERWISE SPECIFIED:	DWN	02 AUG 2005		tyco Electronics AMP Italia S.p.A. C.so F. Cervi, 15 COLLEGGNO (TO)
mm	0 PLC ±	CHK	H. YAALI		
	1 PLC ±0.3	APVD	G. TURCO		
	2 PLC ±	PRODUCT SPEC	108-20256		
	3 PLC ±	APPLICATION SPEC		NAME	5 POS. FASTIN-FASTON Connector TAB HOUSING, RAST 5 1.0-2.2 MM THK. PANEL MOUNT VERSION
	4 PLC ±	WEIGHT		SIZE	A2
	ANGLES ±°	CUSTOMER DRAWING		CAGE CODE	00779
	FINISH			DRAWING NO	G-293161
MATERIAL	SEE TABLE			RESTRICTED TO	
				SCALE	2:1
				SHEET	1 OF 1
				REV	B