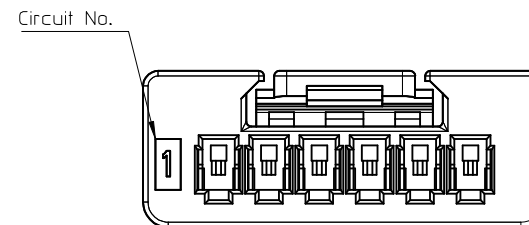
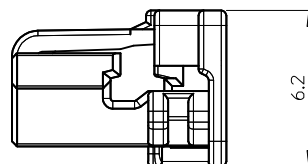
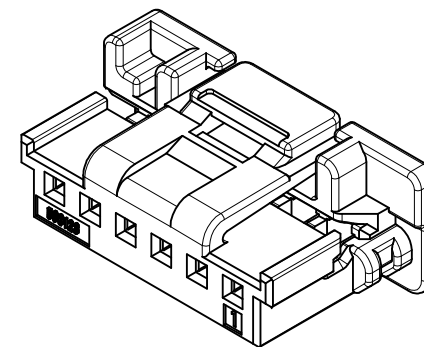
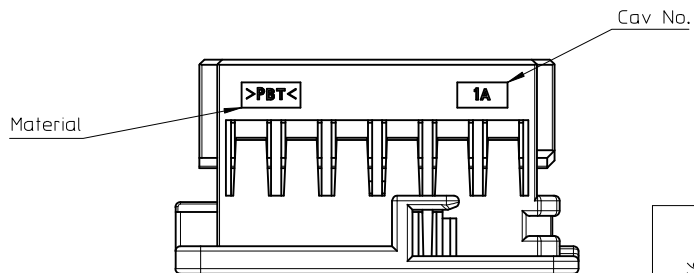
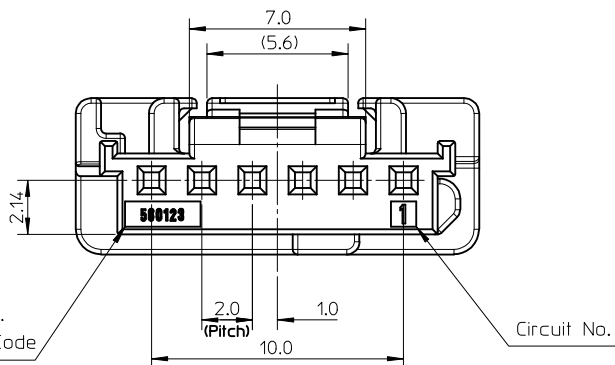
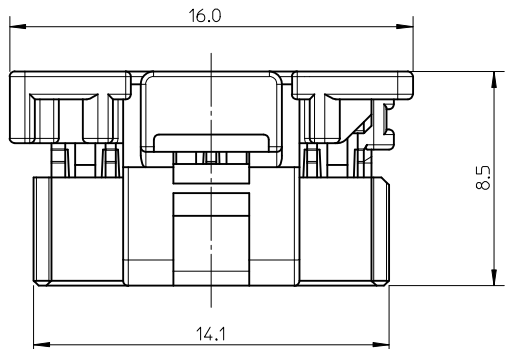


GENERAL TOLERANCE										USED ON
10 MAX	30 MAX	50 MAX	70 MAX	100 MAX	120 MAX	250 MAX	250 OVR	ANGLE	ECCENT	
±0.15	±0.20	±0.30	±0.40	±0.50	±0.75	±0.90	±1.4	±0.5°	0.1	



NOTES:

1. MATERIALS : POLYESTER (PBT), GLASS FILLED,UL 94V-0
2. MATES WITH : 502352, 560020 SERIES
3. APPLICABLE TERMINAL : 560124-0101, 560124-0131
4. APPLICABLE ISL : 560125-0600, 560125-0601
5. GENERAL TOLERANCES : SEE TABLE
6. ELV AND RoHS COMPLIANT
7. PRODUCT SPECIFICATION : PS-560123-001
8. PACKING SPECIFICATION : PK-560123-001

ORDER NO.	MATERIAL NO.	COLOR
560123-0600	5601230600	WHITE
560123-0601	5601230601	BLACK
560123-0602	5601230602	RED
560123-0604	5601230604	BLUE

ADDED OPTION EC NO: KTR2016-0056 DRWNS:JLEE06 2016/02/23 CHKD:BCY00N 2016/02/23 APPR:JYCHO1 2016/02/25	QUALITY SYMBOLS ▽=0 ◻=0	GENERAL TOLERANCES (UNLESS SPECIFIED)		DIMENSION STYLE MM ONLY		SCALE	DESIGN UNITS METRIC	THIRD ANGLE PROJECTION
		mm	INCH	DRAWN BY YIBAOK	DATE 2014/07/08	TITLE NEW 2.0 PITCH W/B CONN. REC. 6WAY HSG DURA CLIK™ ISL SERIES	DOCUMENT NO. SD-560123-004	SHEET NO. 1 OF 1
		4 PLACES	± ---	± ---	CHECKED BY BCY00N	DATE 2014/07/08	MOLEX INCORPORATED	
		3 PLACES	± ---	± ---	APPROVED BY SRTAK	DATE 2014/08/26	SEE TABLE	
		2 PLACES	± ---	± ---	THIS DRAWING CONTAINS INFORMATION THAT IS PROPRIETARY TO MOLEX INCORPORATED AND SHOULD NOT BE USED WITHOUT WRITTEN PERMISSION			
		1 PLACE	± ---	± ---				
		ANGULAR ± ---°						
DRAFT WHERE APPLICABLE MUST REMAIN WITHIN DIMENSIONS		SIZE A3						