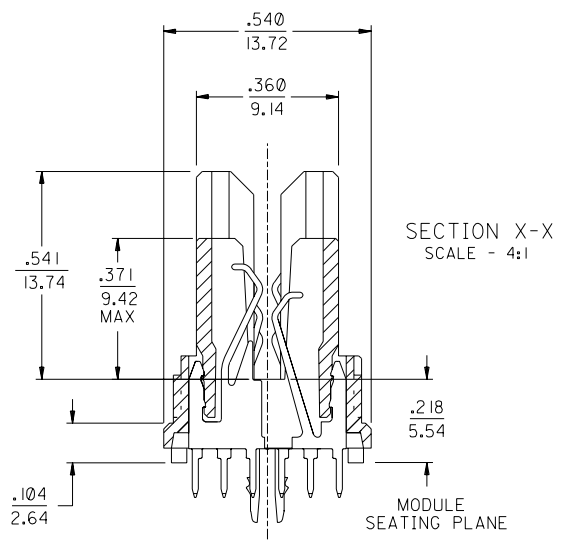
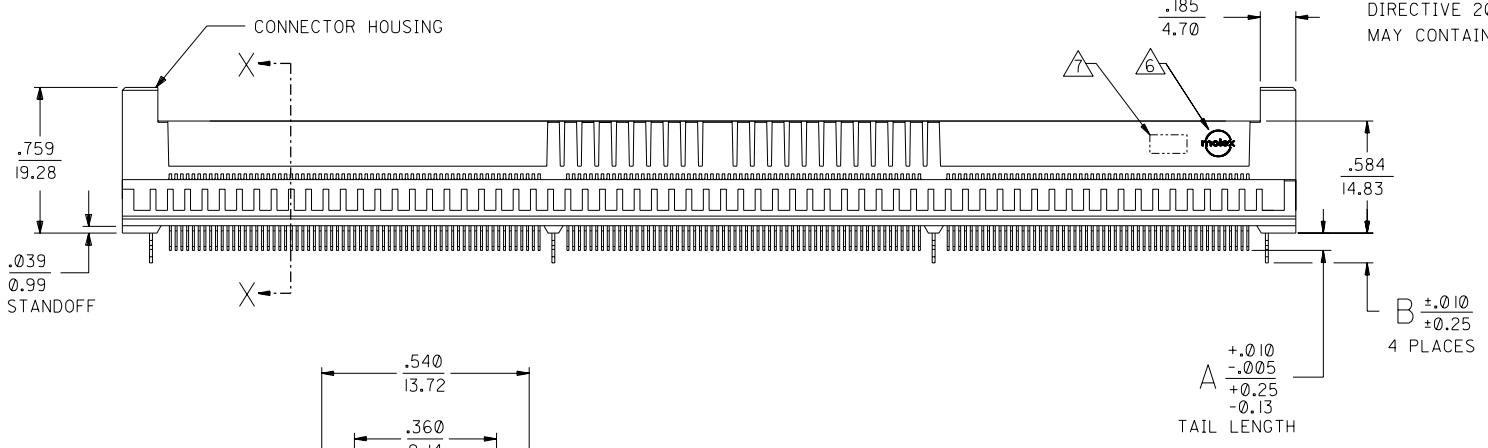
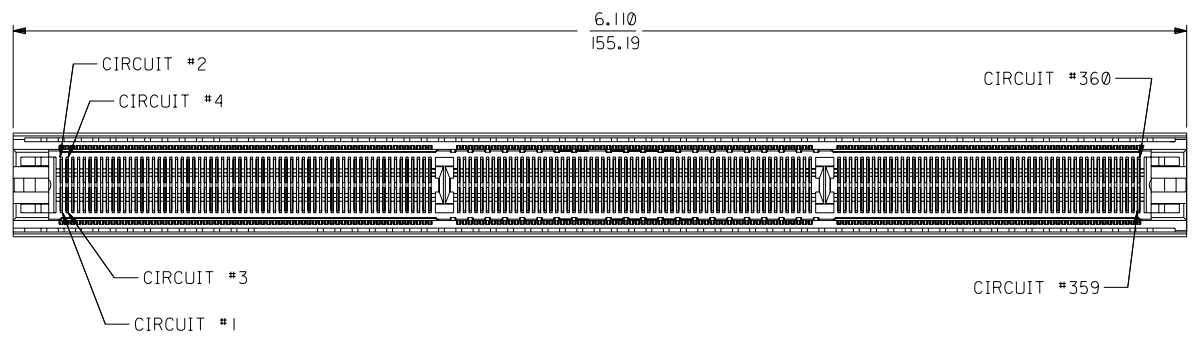


NOTES:

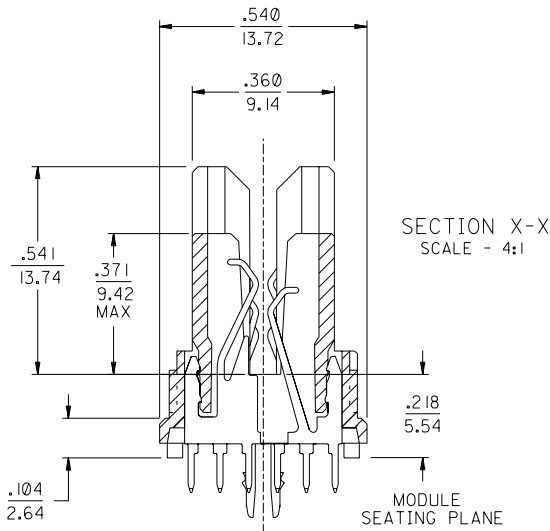
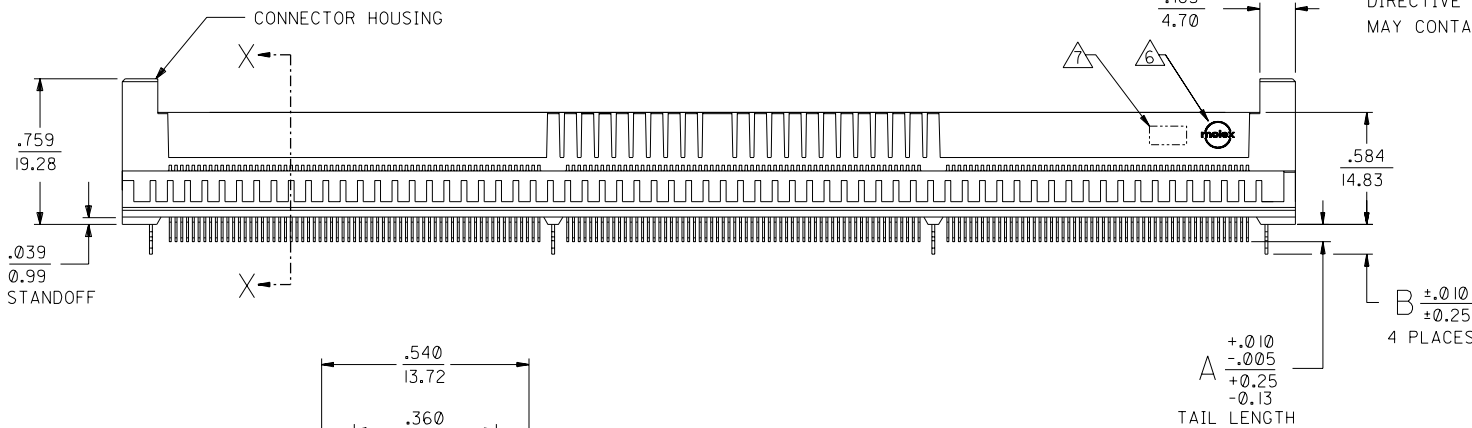
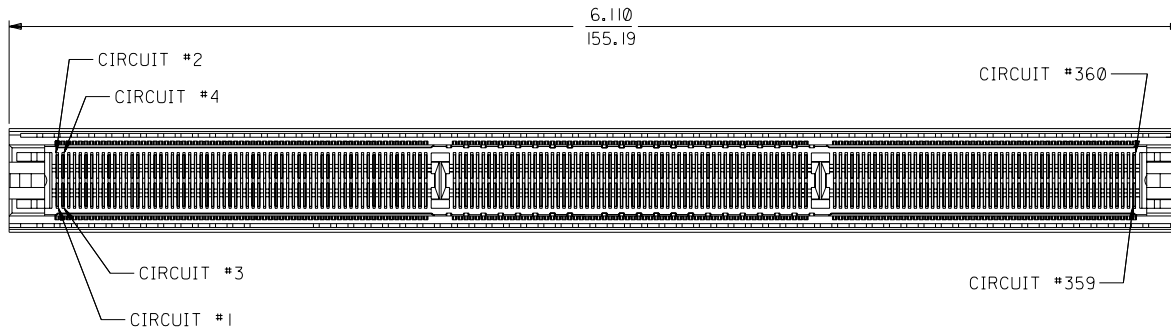
- MATERIALS:
HOUSING - LCP, 30% GLASS FILLED, 94-V0, BLACK.
TERMINALS - PHOSPHOR BRONZE.
METAL FORKLLOCKS - PHOSPHOR BRONZE.
- FINISH:
TERMINALS - .000030/0.00076 MINIMUM GOLD IN THE CONTACT AREA AND .000075/0.0019 MINIMUM TIN IN SOLDER TAIL AREA OVER .000050/0.0013 MINIMUM NICKEL OVERALL.
METAL FORKLLOCKS - .00008/0.002 MINIMUM TIN OVERALL.
- PRODUCT SPECIFICATION PS-71109-9999 APPLIES.
- CARD SLOT ACCEPTS .062 +.007/-.005 P.C. BOARD.
- THE RECOMMENDED PLATING SPECIFICATION FOR THE MATING PC BOARD IS .000030/0.00076 MINIMUM GOLD OVER .000075/0.0019 MINIMUM NICKEL.
- MOLEX LOGO SHALL APPEAR ON BOTH SIDES OF HOUSING AND LOCATED APPROXIMATELY AS SHOWN.
- FOUR DIGIT DATE CODE (YR/WK) SHALL BE LOCATED APPROXIMATELY AS SHOWN.
- THE PRIMARY SHIPPING CARTON WILL BE LABELED "COMPLIANT TO ROHS DIRECTIVE 2002/95/EC AND ELV ANNEX II OF DIRECTIVE 2000/53/EC". CARTONS WITHOUT THIS LABEL MAY CONTAIN PRODUCT WITH LEAD.



71109-5029		.115/2.92	.155/3.94	2	B
MAT'L NUMBER		A	B	1	E
REDUCE TIN THK EC NO. UCP2004-2347 DRAWN: RW WHITE 04/05/20 CHK: BBARKER 04/05/20 APPR: SMILLER 04/05/20	QUALITY SYMBOLS	GENERAL TOLERANCES: (UNLESS SPECIFIED)		SCALE 2:1	
	MAJOR	mm	INCH	DESIGN UNITS	THIRD ANGLE PROJECTION
	CRITICAL	mm	INCH	mm	INCH
	DESCRIPTION	4 PLACES ±0.	±.	DRAWN BY & DATE	TITLE:
	REV	3 PLACES ±0.	±.005	CHECKED BY & DATE	SALES ASSEMBLY
	2 PLACES ±0.13	±.	APPROVED BY & DATE	360 CKT "HiSpec" CONNECTOR	
	1 PLACE ±0.	±.	NELSON 08/14/98	W/METAL FORKLLOCKS	
	ANGULAR: ± 1°		CAD FILENAME	MATERIAL NO.	
	DRAFT WHERE APPLICABLE MUST REMAIN WITHIN DIMENSIONS		WORKMANAGER	SEE CHART	DRAWING NO.
	THIS DRAWING CONTAINS INFORMATION THAT IS PROPRIETARY TO MOLEX INCORPORATED AND SHOULD NOT BE USED WITHOUT WRITTEN PERMISSION.			SD-71109-511	SHEET NO.
					1 OF 2
					SIZE C

NOTES:

- MATERIALS:
HOUSING - LCP, 30% GLASS FILLED, 94-V0, BLACK.
TERMINALS - PHOSPHOR BRONZE.
METAL FORKLOCKS - PHOSPHOR BRONZE.
- FINISH:
TERMINALS - .000030/0.00076 MINIMUM GOLD IN THE CONTACT AREA AND .000075/0.0019 MINIMUM TIN IN SOLDER TAIL AREA OVER .000050/0.0013 MINIMUM NICKEL OVERALL.
METAL FORKLOCKS - .00008/0.002 MINIMUM TIN OVERALL.
- PRODUCT SPECIFICATION PS-71109-9999 APPLIES.
- CARD SLOT ACCEPTS .062 +.007/-.005 P.C. BOARD.
- THE RECOMMENDED PLATING SPECIFICATION FOR THE MATING PC BOARD IS .000030/0.0076 MINIMUM GOLD OVER .000075/0.0019 MINIMUM NICKEL.
- MOLEX LOGO SHALL APPEAR ON BOTH SIDES OF HOUSING AND LOCATED APPROXIMATELY AS SHOWN.
- FOUR DIGIT DATE CODE (YR/WK) SHALL BE LOCATED APPROXIMATELY AS SHOWN.
- THE PRIMARY SHIPPING CARTON WILL BE LABELED "COMPLIANT TO ROHS DIRECTIVE 2002/95/EC AND ELV ANNEX II OF DIRECTIVE 2000/53/EC". CARTONS WITHOUT THIS LABEL MAY CONTAIN PRODUCT WITH LEAD.



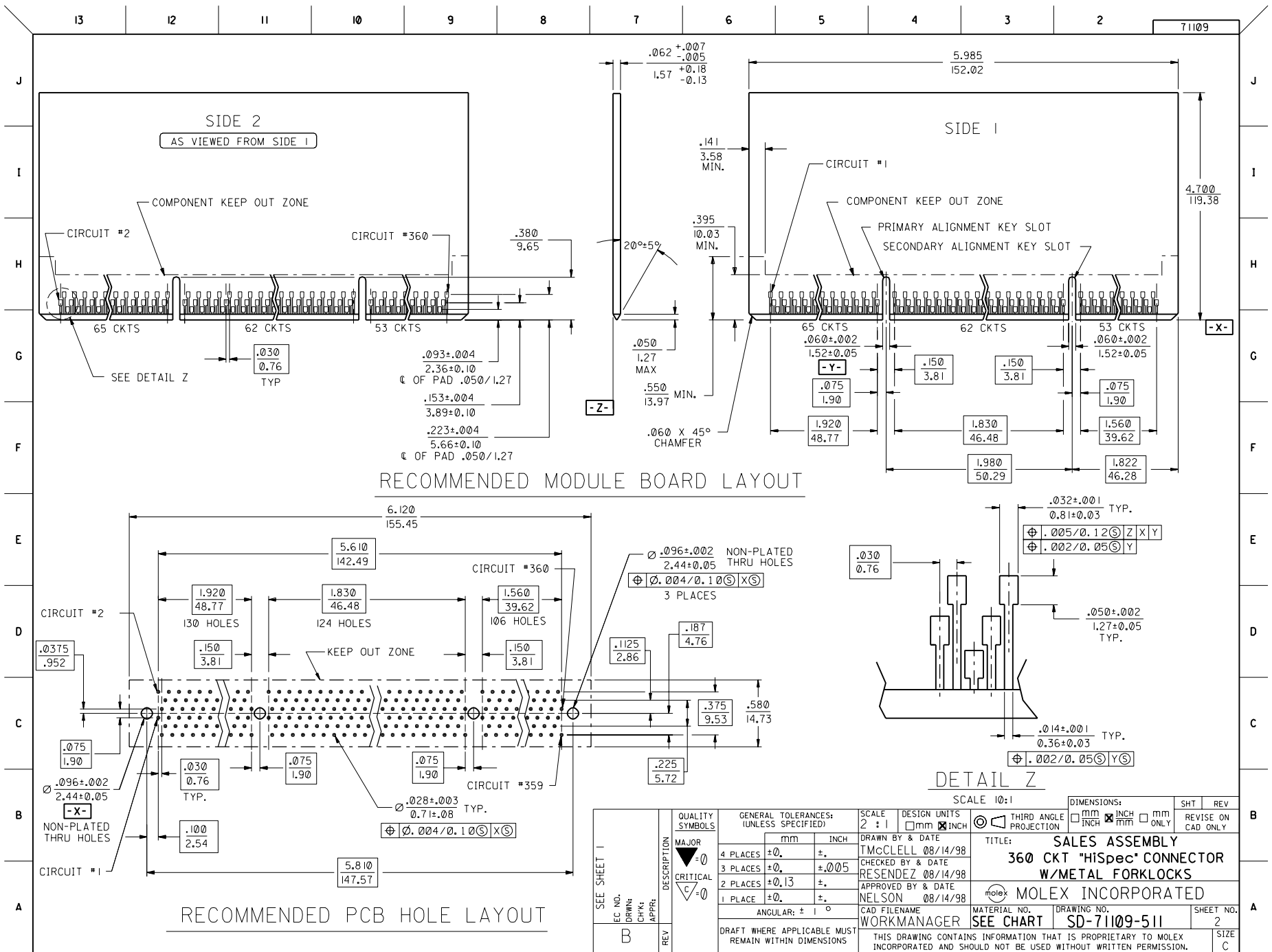
71109-5029	.115/2.92	.155/3.94
MAT'L NUMBER	A	B

REduce TIN THK	QUALITY SYMBOLS
EC No. LUCP2004-2347	MAJOR
DRWNR: WHITE 04/05/20	CRITICAL
CHK: BBARKER 04/05/20	
APPR: SWILLER 04/05/20	
REV	

GENERAL TOLERANCES: (UNLESS SPECIFIED)	SCALE 2 : 1	DESIGN UNITS
4 PLACES ±0. ±.	<input type="checkbox"/> mm <input checked="" type="checkbox"/> INCH	THIRD ANGLE PROJECTION
3 PLACES ±0. ±.005		
2 PLACES ±0.13 ±.		
1 PLACE ±0. ±.		
ANGULAR: ± 1 °		
DRAFT WHERE APPLICABLE MUST REMAIN WITHIN DIMENSIONS		

DRAWN BY & DATE	TITLE:
TMCCLELL 08/14/98	SALES ASSEMBLY
CHECKED BY & DATE	360 CKT "HiSpec" CONNECTOR
RESENDEZ 08/14/98	W/METAL FORKLOCKS
APPROVED BY & DATE	MOLEX INCORPORATED
NELSON 08/14/98	
CAD FILENAME	MATERIAL NO.
WORKMANAGER	SEE CHART
	DRAWING NO.
	SD-71109-511
	SHEET NO.
	1 OF 2
	SIZE
	C

2	B
1	E
SHT	REV
REVISE ON CAD ONLY	



RECOMMENDED MODULE BOARD LAYOUT

RECOMMENDED PCB HOLE LAYOUT

DETAIL Z

EC NO. B	DRAWN: CHK: APPR:	DESCRIPTION	QUALITY SYMBOLS		GENERAL TOLERANCES: (UNLESS SPECIFIED)		SCALE	DESIGN UNITS	THIRD ANGLE PROJECTION	DIMENSIONS:	SHT	REV
			MAJOR = 0	CRITICAL = 0	mm	INCH	2 ± 1	mm INCH	mm INCH	mm ONLY	INCH ONLY	2
SEE SHEET 1			4 PLACES ±0.	±.	3 PLACES ±0.	±.005	DRAWN BY & DATE TMCCLELL 08/14/98	CHECKED BY & DATE RESENDEZ 08/14/98	TITLE: SALES ASSEMBLY 360 CKT "HiSpec" CONNECTOR W/METAL FORKLLOCKS			
			2 PLACES ±0.13	±.	1 PLACE ±0.	±.	APPROVED BY & DATE NELSON 08/14/98	MATERIAL NO. WORKMANAGER		DRAWING NO. SEE CHART		SHEET NO. 2
DRAFT WHERE APPLICABLE MUST REMAIN WITHIN DIMENSIONS			ANGULAR: ± 1 °		THIS DRAWING CONTAINS INFORMATION THAT IS PROPRIETARY TO MOLEX INCORPORATED AND SHOULD NOT BE USED WITHOUT WRITTEN PERMISSION.		CAD FILENAME WORKMANAGER		DRAWING NO. SD-71109-511		SIZE C	