

CMOS/TTL SMD PROGRAMMABLE CRYSTAL OSCILLATOR



3.2 X 2.5 X 1.05 mm



ASEP SERIES

FEATURES:

- Wide frequency range from 1MHz up to 125MHz
- Miniature size for high density applications
- -40 + 85C industrial operating temperature available

APPLICATIONS:

- Precision clock frequency for a wide range of emerging technology applications.

For Small Quantities,
Delivery Time
is 1-5 days

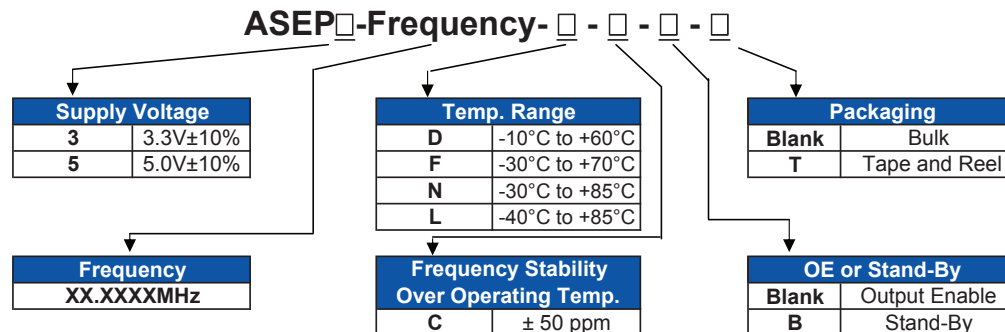
STANDARD SPECIFICATIONS:

PARAMETERS

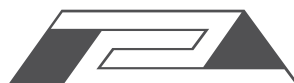
ABRACON P/N		ASEP Series			
Characteristics		Unit	Minimum	Typical	Maximum
Frequency Range		MHz	1	--	125
Operating Temp. Range * (See Options)		°C	-20	--	70
Storage Temp. Range * (See Options)		°C	-55	--	125
Freq. Stability Over Operating Temp.* (See Options)		ppm	-100	--	100
Supply Voltage (See options)	ASEP3	VDC	2.97	3.3	3.63
	ASEP5	VDC	4.5	5.0	5.5
Supply Current	ASEP3	mA	--	--	25
	ASEP5	mA	--	--	45
Disable Current (See options)	ASEP3	mA	--	--	15
	ASEP5	mA	--	--	30
Stand-by Current (See options)		uA	--	--	50
Output Load	CMOS	15pF (ASEP3 and ASEP5)			
	TTL	5TTL max. (ASEP5 only)			
Symmetry	CMOS (1/2Vdd)	%	40	50	60
	TTL (1.4V)	%	40	50	60
Rise Time	CMOS (20%Vdd<=>80%Vdd)	nSec	--	--	4
	TTL(0.4V<=>2.4V)	nSec	--	--	4
Fall Time	CMOS (20%Vdd<=>80%Vdd)	nSec	--	--	4
	TTL (0.4V<=>2.4V)	nSec	--	--	4
Output Voltage	CMOS	VOH	--	--	0.9*Vdd min.
		VOL	0.1*Vdd max.	--	--
	TTL	VOH	--	--	0.9*Vdd min.
		VOL	0.4*Vdd max.	--	--
Input (OE) Voltage	ASEP3 (CMOS)	VIH	--	--	0.7*Vdd min.
		VIL	0.2*Vdd max.	--	--
	ASEP5 (CMOS and TTL)	VIH	--	--	2.0V min.
		VIL	0.8V max.	--	--
Start-Up time		ms	--	--	10
Output Disable Time		ns	--	--	100
Output Enable Time (OE)		ns	--	--	100
Output Enable Time (ST)		ms	--	--	10
Aging (First Year)		ppm	-5	--	5

OPTIONS & PART IDENTIFICATION:

(Left blank if standard)



Please contact ABRACON for tighter stability



CMOS/TTL SMD PROGRAMMABLE CRYSTAL OSCILLATOR

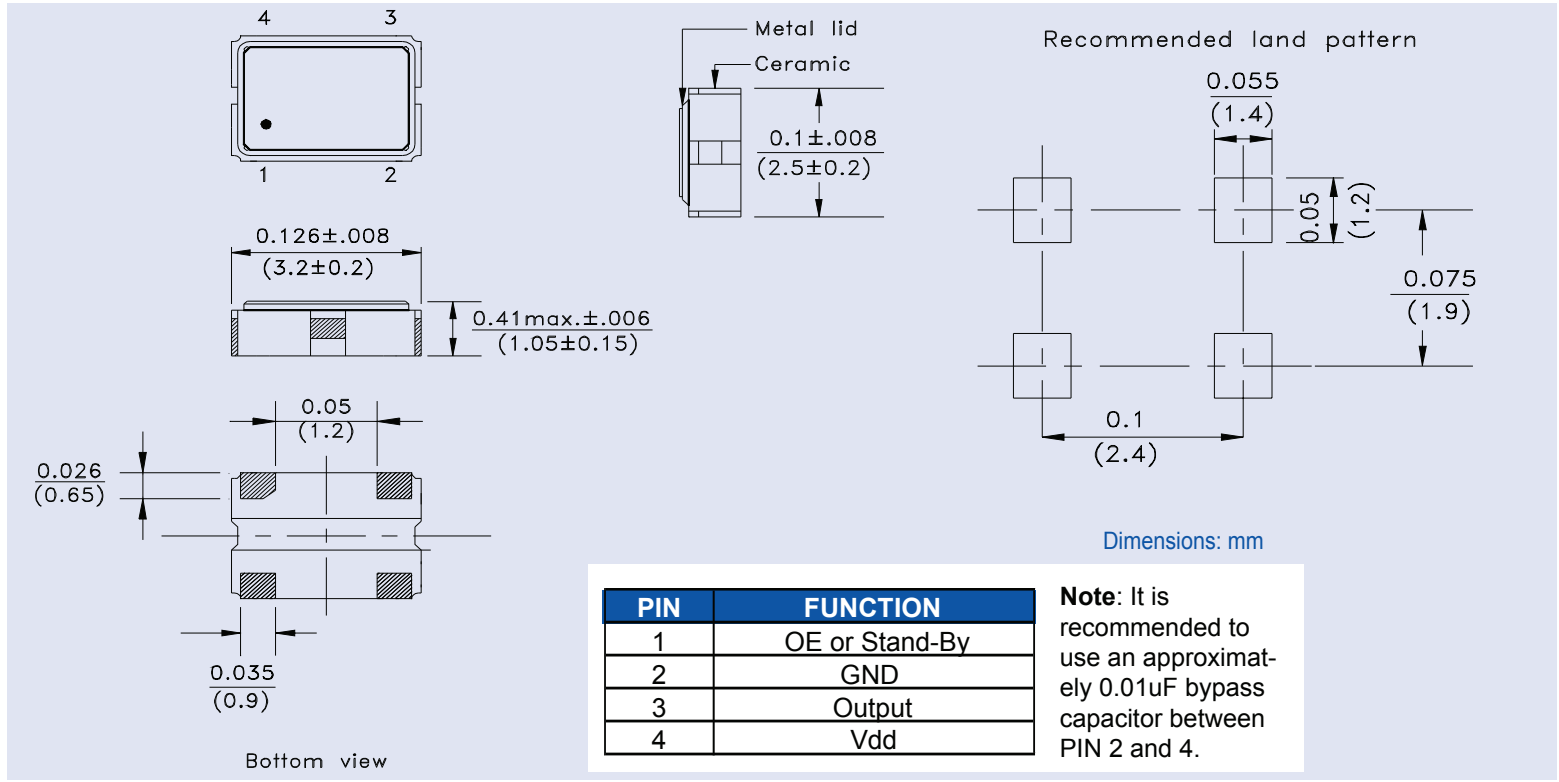


3.2 X 2.5 X 1.05 mm

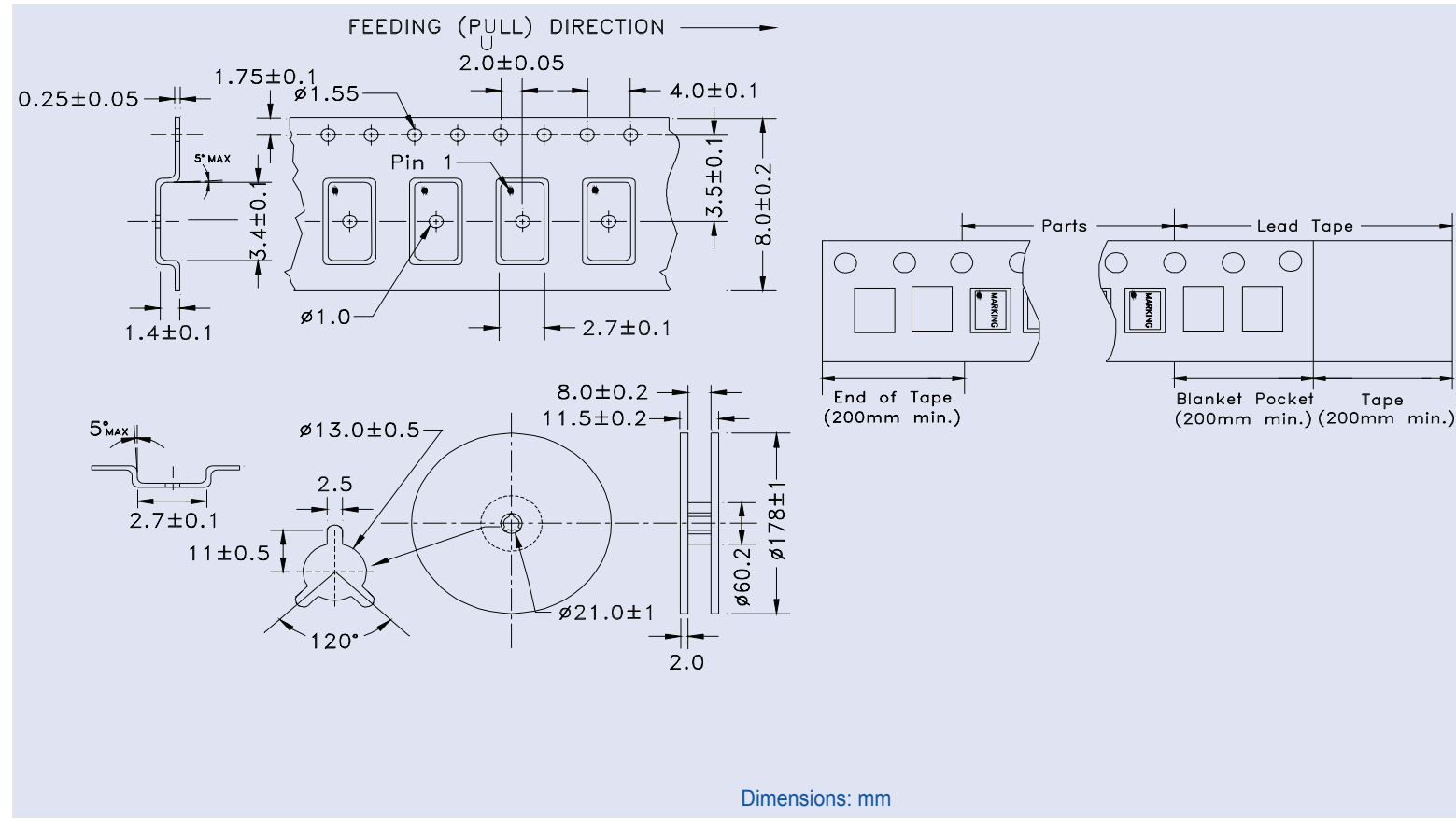
ASEP SERIES



OUTLINE DRAWING:



TAPE & REEL:



ABRACON IS
ISO 9001 / QS 9000
CERTIFIED



Visit www.abracon.com for Terms & Conditions of Sale **Revised: 07.25.08**
30332 Esperanza, Rancho Santa Margarita, California 92688
tel 949-546-8000 | fax 949-546-8001 | www.abracon.com