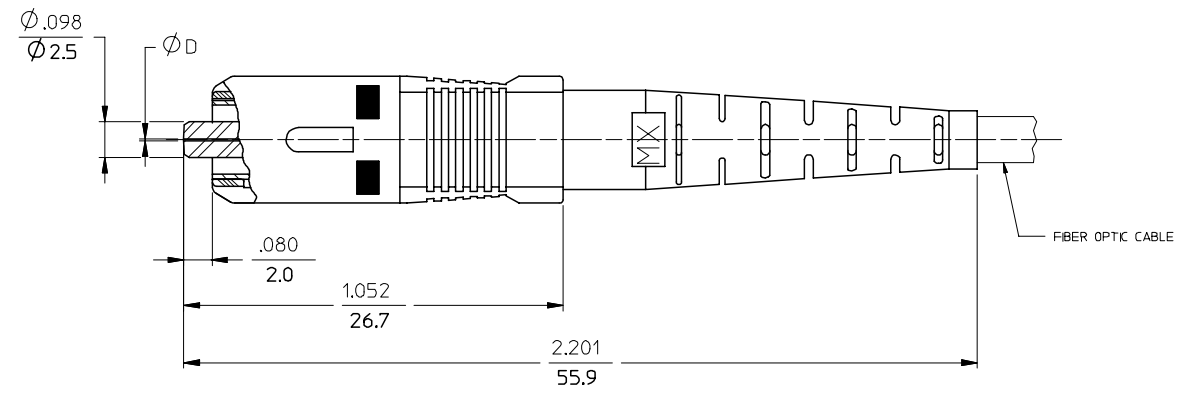
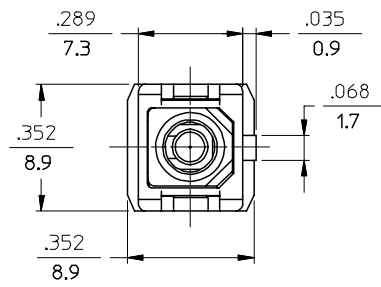


13 12 11 10 9 8 7 6 5 4 3 2 1

J
I
H
G
F
E
D
C
B
A



NOTES:
 1. ALL DIMENSIONS ARE FOR REFERENCE ONLY.
 *2. P/NS 106032-5020, 106032-0140, 106032-5310, 106032-5990 AND 106032-0910 ARE BULK PACKED IN QUANTITIES OF 100 pcs.

ENTER DESCRIPTION EC NO: MF2007-0445 DRAWN BY: RPACIFICI CHKD: RPACIFICI APPR: JGUMIN REVISION: B1	QUALITY SYMBOLS ▽=0 ▽=0	GENERAL TOLERANCES (UNLESS SPECIFIED)		DIMENSION STYLE IN/MM	SCALE 4:1	DESIGN UNITS INCH	THIRD ANGLE PROJECTION			
		4 PLACES ± --- ± ---	3 PLACES ± --- ± ---	DRAWN BY RPACIFICI	DATE 2005/12/22	TITLE SC CONNECTOR (TUNABLE)				
		2 PLACES ± --- ± ---	1 PLACE ± --- ± ---	CHECKED BY	DATE	APPROVED BY				
		ANGULAR ±1/2°		MATERIAL NO. SEE TABLE		DOCUMENT NO. SD-106032-XXX0		SHEET NO. 1 OF 3		
DRAFT WHERE APPLICABLE MUST REMAIN WITHIN DIMENSIONS				SIZE C	THIS DRAWING CONTAINS INFORMATION THAT IS PROPRIETARY TO MOLEX INCORPORATED AND SHOULD NOT BE USED WITHOUT WRITTEN PERMISSION					

12 11 10 9 8 7 6 5 4 3 2 1

10		9		8		7		6		5		4		3		2		1		
CONNECTOR P/N	∅ (Hm)	BOOT COLOR	HOUSING COLOR	CONNECTOR TYPE	CABLE (mm)					CONNECTOR P/N	∅ (Hm)	BOOT COLOR	HOUSING COLOR	CONNECTOR TYPE	CABLE (mm)					
106032-0000	127	BLUE	BLUE	MULTIMODE	3					106032-3000	128	BLUE	BLUE	MULTIMODE	3					
106032-0900					2.0 & 1.6 DUPLEX					106032-3900					2.0 & 1.6 DUPLEX					
106032-0100					1.6 SIMPLEX					106032-3100					1.6 SIMPLEX					
106032-0050					3					106032-3060					3					
106032-0950		WHITE	BEIGE		2.0 & 1.6 DUPLEX					106032-3960		2.0 & 1.6 DUPLEX								
106032-0150					1.6 SIMPLEX					106032-3160		1.6 SIMPLEX								
106032-0060					3					106032-3050		3								
106032-0910*					2.0 & 1.6 DUPLEX					106032-3950		2.0 & 1.6 DUPLEX								
106032-0960		BEIGE	BEIGE		1.6 SIMPLEX					106032-3150		1.6 SIMPLEX								
106032-0140*					3					106032-3080		3								
106032-0160					2.0 & 1.6 DUPLEX					106032-3980		2.0 & 1.6 DUPLEX								
106032-0080					1.6 SIMPLEX					106032-3180		1.6 SIMPLEX								
106032-0980	RED	RED	2.0 & 1.6 DUPLEX	106032-3070	3															
106032-0180			1.6 SIMPLEX	106032-3970	2.0 & 1.6 DUPLEX															
106032-0070			3	106032-3170	1.6 SIMPLEX															
106032-0970			2.0 & 1.6 DUPLEX																	
106032-0170	1.6 SIMPLEX																			
106032-2000	125.5	YELLOW	BLUE	SINGLE MODE	3					106032-2900		WHITE	RED		2.0 & 1.6 DUPLEX					
106032-2900					2.0 & 1.6 DUPLEX					106032-2100					1.6 SIMPLEX					
106032-2100					1.6 SIMPLEX					106032-2050					3					
106032-2050					3					106032-2950					2.0 & 1.6 DUPLEX					
106032-2950		RED	RED		1.6 SIMPLEX					106032-2150		3								
106032-2150					1.6 SIMPLEX					106032-2080		3								
106032-2080					2.0 & 1.6 DUPLEX					106032-2980		1.6 SIMPLEX								
106032-2980					1.6 SIMPLEX					106032-2180		3								
106032-2180		BLACK	BLACK		2.0 & 1.6 DUPLEX					106032-2970		2.0 & 1.6 DUPLEX								
106032-2170					1.6 SIMPLEX					106032-2070		3								
106032-2070					2.0 & 1.6 DUPLEX					106032-2970		2.0 & 1.6 DUPLEX								
106032-2970					1.6 SIMPLEX					106032-2170		1.6 SIMPLEX								

ENTER DESCRIPTION EC NO: MF2007-0445 DRWNGKPEVZNER 2007/01/12 CHKD: 2007/01/12 APPR: IGUMIN 2007/01/15 REV B1	DESCRIPTION QUALITY SYMBOLS ▽=0 ▽=0	GENERAL TOLERANCES (UNLESS SPECIFIED)		DIMENSION STYLE IN/MM		SCALE 4:1	DESIGN UNITS INCH	THIRD ANGLE PROJECTION																								
		<table border="1"> <thead> <tr> <th></th> <th>mm</th> <th>INCH</th> </tr> </thead> <tbody> <tr> <td>4 PLACES</td> <td>± ---</td> <td>± ---</td> </tr> <tr> <td>3 PLACES</td> <td>± ---</td> <td>± ---</td> </tr> <tr> <td>2 PLACES</td> <td>± ---</td> <td>± ---</td> </tr> <tr> <td>1 PLACE</td> <td>± ---</td> <td>± ---</td> </tr> </tbody> </table>			mm	INCH	4 PLACES	± ---	± ---	3 PLACES	± ---	± ---	2 PLACES	± ---	± ---	1 PLACE	± ---	± ---	<table border="1"> <tr> <td>DRAWN BY</td> <td>DATE</td> </tr> <tr> <td>RPACIFICI</td> <td>2005/12/22</td> </tr> <tr> <td>CHECKED BY</td> <td>DATE</td> </tr> <tr> <td>APPROVED BY</td> <td>DATE</td> </tr> </table>		DRAWN BY	DATE	RPACIFICI	2005/12/22	CHECKED BY	DATE	APPROVED BY	DATE	TITLE SC CONNECTOR (TUNABLE)			
			mm	INCH																												
		4 PLACES	± ---	± ---																												
3 PLACES	± ---	± ---																														
2 PLACES	± ---	± ---																														
1 PLACE	± ---	± ---																														
DRAWN BY	DATE																															
RPACIFICI	2005/12/22																															
CHECKED BY	DATE																															
APPROVED BY	DATE																															
DRAFT WHERE APPLICABLE MUST REMAIN WITHIN DIMENSIONS				MATERIAL NO. SEE TABLE		DOCUMENT NO. SD-106032-XXX0			SHEET NO. 2 OF 3																							
THIS DRAWING CONTAINS INFORMATION THAT IS PROPRIETARY TO MOLEX INCORPORATED AND SHOULD NOT BE USED WITHOUT WRITTEN PERMISSION																																

10	9	8	7	6	5	4	3	2			
CONNECTOR P/N	Ø (Mm)	BOOT COLOR	HOUSING COLOR	CONNECTOR TYPE	CABLE (mm)	CONNECTOR P/N	Ø (Mm)	BOOT COLOR	HOUSING COLOR	CONNECTOR TYPE	CABLE (mm)
106032-4000	125	YELLOW	BLUE	SINGLE MODE	3	106032-6000	125.5	YELLOW	BLUE	SINGLE MODE	3
106032-4900					2.0 & 1.6 DUPLEX	106032-6900					2.0 & 1.6 DUPLEX
106032-4100					1.6 SIMPLEX	106032-6100					1.6 SIMPLEX
106032-4050					3	106032-7000					3
106032-4950					2.0 & 1.6 DUPLEX	106032-7900					2.0 & 1.6 DUPLEX
106032-4150					1.6 SIMPLEX	106032-7100					1.6 SIMPLEX
106032-4080		WHITE	RED		3	106032-7050		3			
106032-4980					2.0 & 1.6 DUPLEX	106032-7950		2.0 & 1.6 DUPLEX			
106032-4180					1.6 SIMPLEX	106032-7150		1.6 SIMPLEX			
106032-4070					3	106032-7080		3			
106032-4970					2.0 & 1.6 DUPLEX	106032-7980		2.0 & 1.6 DUPLEX			
106032-4170					1.6 SIMPLEX	106032-7180		1.6 SIMPLEX			
106032-5000	126	YELLOW	BLUE	3	106032-7070	127	WHITE	RED	SINGLE MODE	3	
106032-5020*				2.4	106032-7970					2.0 & 1.6 DUPLEX	
106032-5300				2.0 & 1.6 DUPLEX	106032-7170					1.6 SIMPLEX	
106032-5310*				1.6 SIMPLEX	106032-7070					3	
106032-5900				3	106032-7970					2.0 & 1.6 DUPLEX	
106032-5990*				1.6 SIMPLEX	106032-7170					1.6 SIMPLEX	
106032-5100		WHITE	RED	2.0 & 1.6 DUPLEX	106032-7070		3				
106032-5050				1.6 SIMPLEX	106032-7970		2.0 & 1.6 DUPLEX				
106032-5950				3	106032-7170		1.6 SIMPLEX				
106032-5150				2.0 & 1.6 DUPLEX	106032-7070		3				
106032-5080				1.6 SIMPLEX	106032-7970		2.0 & 1.6 DUPLEX				
106032-5980				3	106032-7170		1.6 SIMPLEX				
106032-5180	BLACK	BLACK	2.0 & 1.6 DUPLEX	106032-7070	3						
106032-5180			1.6 SIMPLEX	106032-7970	2.0 & 1.6 DUPLEX						
106032-5070			3	106032-7170	1.6 SIMPLEX						
106032-5970			2.0 & 1.6 DUPLEX	106032-7070	3						
106032-5170			1.6 SIMPLEX	106032-7970	2.0 & 1.6 DUPLEX						
106032-5170			3	106032-7170	1.6 SIMPLEX						

B

A

ENTER DESCRIPTION EC NO: MF2007-0445 DRWNGKPEVNER 2007/01/12 CHKD: 2007/01/12 APPR: IGUMIN 2007/01/15	DESCRIPTION REV	QUALITY SYMBOLS ▽=0 ▽=0	GENERAL TOLERANCES (UNLESS SPECIFIED)		DIMENSION STYLE IN/MM		SCALE 4:1	DESIGN UNITS INCH	THIRD ANGLE PROJECTION
		4 PLACES ± --- ± --- 3 PLACES ± --- ± --- 2 PLACES ± --- ± --- 1 PLACE ± --- ± ---	mm INCH DRAWN BY DATE RPACIFICI 2005/12/22	TITLE SC CONNECTOR (TUNABLE)					
		ANGULAR ±1/2°	CHECKED BY DATE APPROVED BY DATE	MOLEX INCORPORATED					
		DRAFT WHERE APPLICABLE MUST REMAIN WITHIN DIMENSIONS	MATERIAL NO. SEE TABLE	DOCUMENT NO. SD-106032-XXX0	SHEET NO. 3 OF 03				