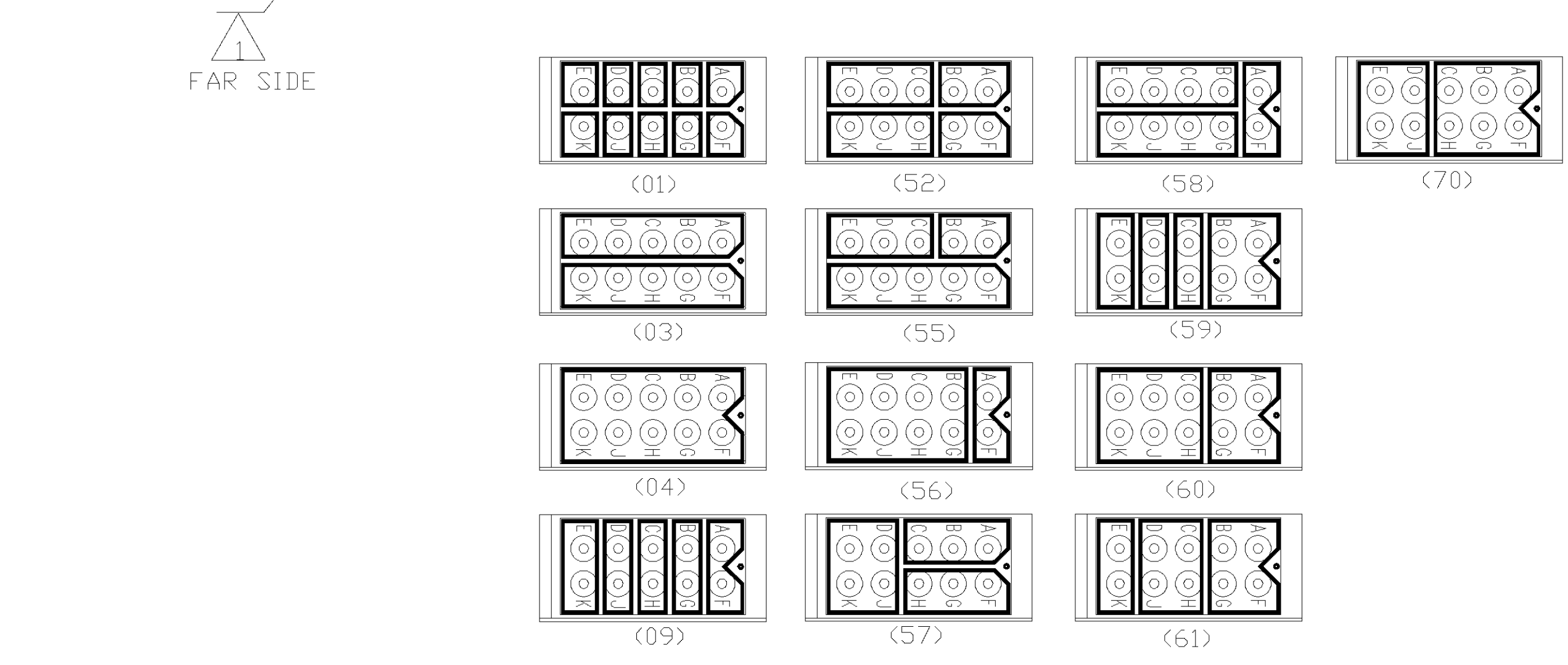
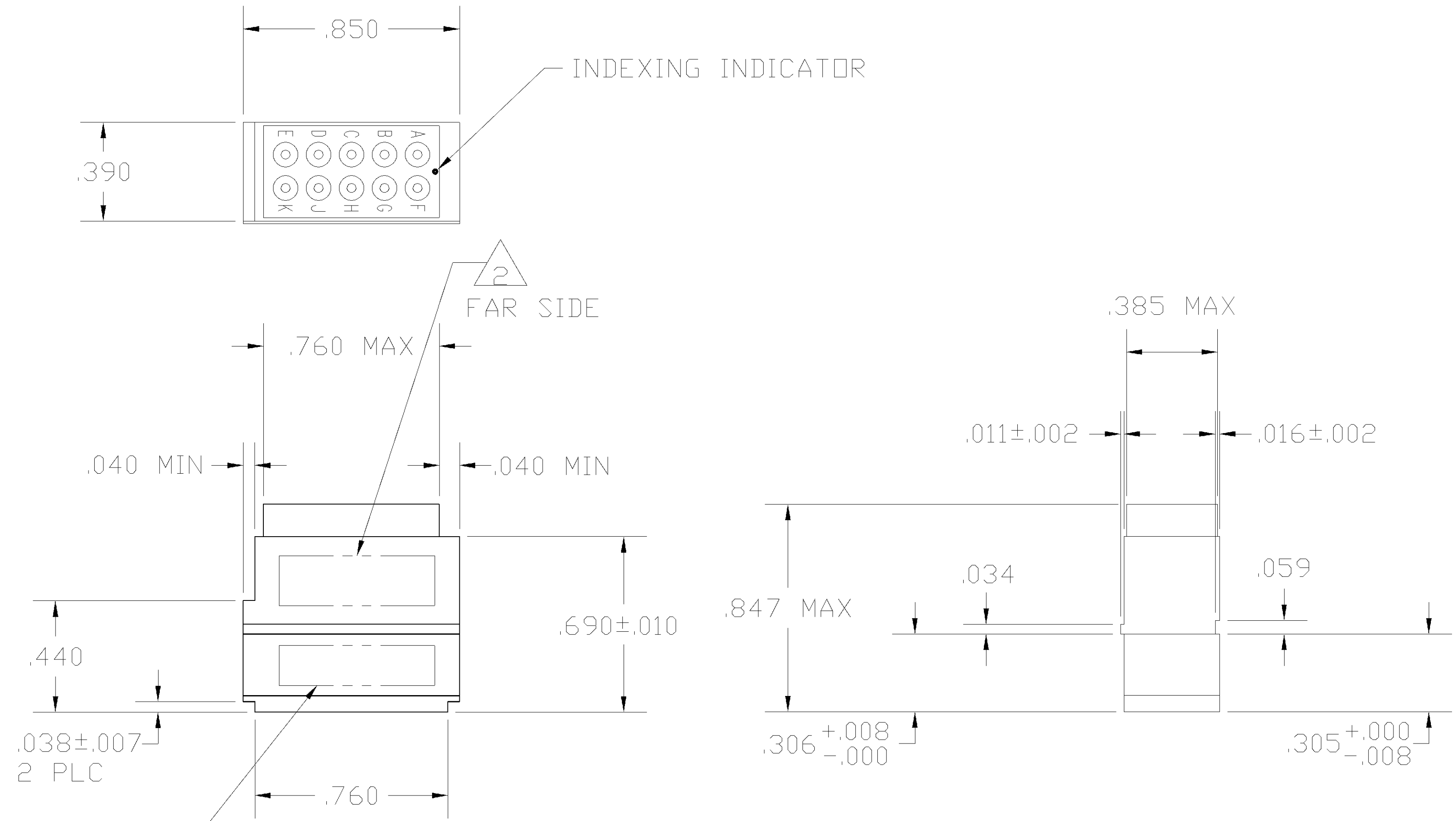


DESCRIPTION	MATERIAL	FINISH
MODULE ASSEMBLY	D.A.P. PER MIL-M14 TYPE SDG-F	COLOR: GREEN
GROMMET	FLUORSILICONE RUBBER 70/30 BLEND	COLOR: GREEN
CONTACT SOCKET	BERYLLIUM COPPER PER QQ-C-533	GOLD PLATE PER MIL-G-45204
RETAINING CLIP	BERYLLIUM COPPER PER QQ-C-533 OR STAINLESS STEEL PER QQ-S-766	NONE
CONTACTS	COPPER ALLOY PER MIL-C-39029/1	GOLD PLATE PER MIL-G-45204
SEALING PLUGS	F.E.P. PER MIL-P-19468	COLOR: RED

- 3 BUSSING ARRANGEMENT OUTLINE DENOTES INTERNAL ARRANGEMENT OF CONTACT SOCKETS.
- 2 MARK MODULE ASSEMBLY WITH CUSTOMER PART NO., MILITARY PART NO. IF REQUIRED .060 MINIMUM HIGH CHARACTERS AT APPROXIMATE AREA SHOWN.
- 1 MARK MODULE ASSEMBLY WITH "AMP", AMP PART NO. AND DATE CODE .060 MINIMUM HIGH CHARACTERS AT APPROXIMATE AREA SHOWN.

LOC	DIST	REV	DATE	BY	APPD
DF	AO	A	1-02	CT	DM



ST257T20M				X					X	X	4-592625-3
ST257T20L					X				X	X	4-592625-2
ST257T20K						X			X	X	4-592625-1
ST257T20G		X							X	X	4-592625-0
ST257T20J								X	X	X	3-592625-9
ST257T20H								X	X	X	3-592625-8
ST257T20N								X	X	X	3-592625-7
37210-2	X								X	X	3-592625-6
37210-1		X							X	X	3-592625-5
MRTB20E60		X									3-592625-4
MRTB20E56					X						3-592625-3
MRTB20E55						X					3-592625-2
MRTB20E52							X				3-592625-1
MRTB20E09								X			3-592625-0
MRTB20E04									X		2-592625-9
MRTB20E03										X	2-592625-8
MRTB20E57					X						2-592625-7
	X										2-592625-6
	X								X	X	2-592625-5
		X									2-592625-4
	X								X	X	2-592625-3
	X								X	X	2-592625-2
538121-28											2-592625-1
SUPERSEDED BY 1-592624-8	M81714/2-AB3			X					X	X	2-592625-0
					X				X	X	1-592625-9
						X			X	X	1-592625-8
							X		X	X	1-592625-7
538121-29											1-592625-6
SUPERSEDED BY 1-592624-2	M81714/2-AC1				X				X	X	1-592625-5
538121-27							X				1-592625-4
SUPERSEDED BY 1-592624-0	M81714/2-AB2							X		X	1-592625-3
538121-30								X			1-592625-2
SUPERSEDED BY 2-592624-2	M81714/2-AC2								X	X	1-592625-1
538121-31											1-592625-0
SUPERSEDED BY 592624-7	M81714/2-AD1								X	X	592625-9
538121-32											592625-8
SUPERSEDED BY 592624-5	M81714/2-AE1								X	X	592625-7
538121-25											592625-6
SUPERSEDED BY 592624-3	M81714/2-AA1								X	X	592625-5
											592625-4
SUPERSEDED BY 592624-1	M81714/2-AB1								X	X	592625-3
											592625-2
									X	X	592625-1

MARKING	70616059585756555209040301	SEALING PLUG QTY 2	CONTACTS QTY 11	PART NO.
---------	----------------------------	--------------------	-----------------	----------

BUSSING ARRANGEMENTS 3

THIS DRAWING IS A CONTROLLED DOCUMENT.

31 JAN 2002  
C. C. THOMAS  
D. MILLER  
D. MILLER

1-31-02  
1-31-02

NAME

PRODUCT SPEC

APPLICATION SPEC

FEED-BACK MODULE ASSY, SIZE 20, TJ

SIZE: A1 CAGE CODE: 00779 DRAWING NO: 592625

RESTRICTED TO

SCALE: NTS SHEET 1 OF 1 REV A