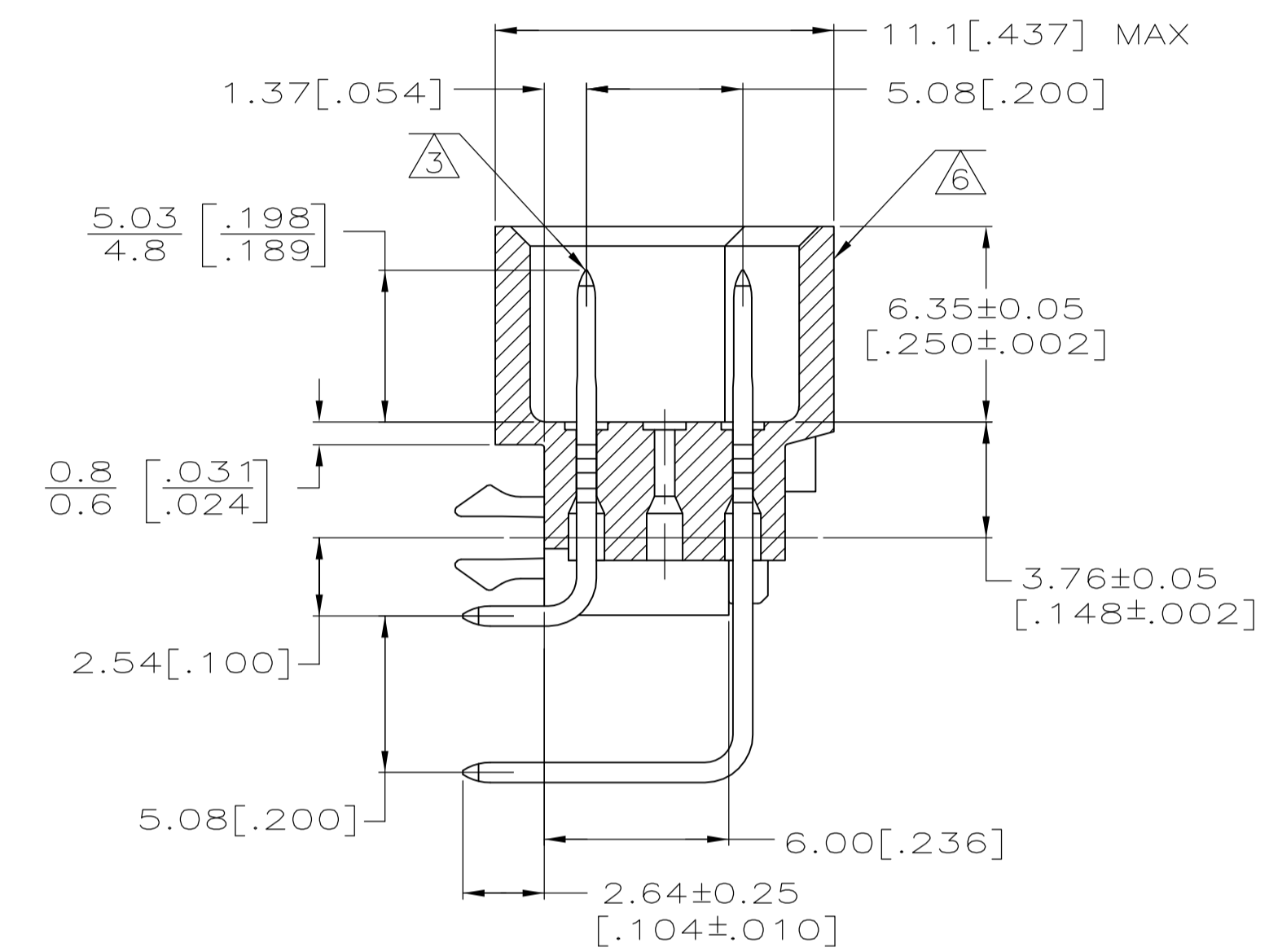
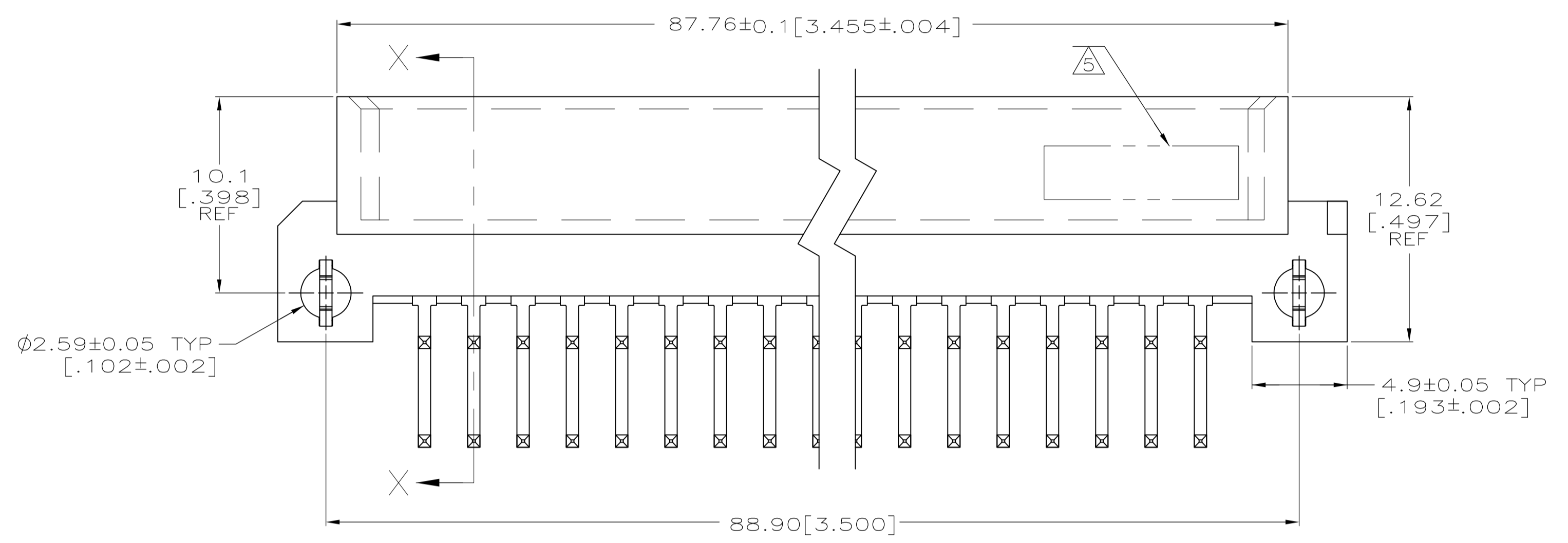
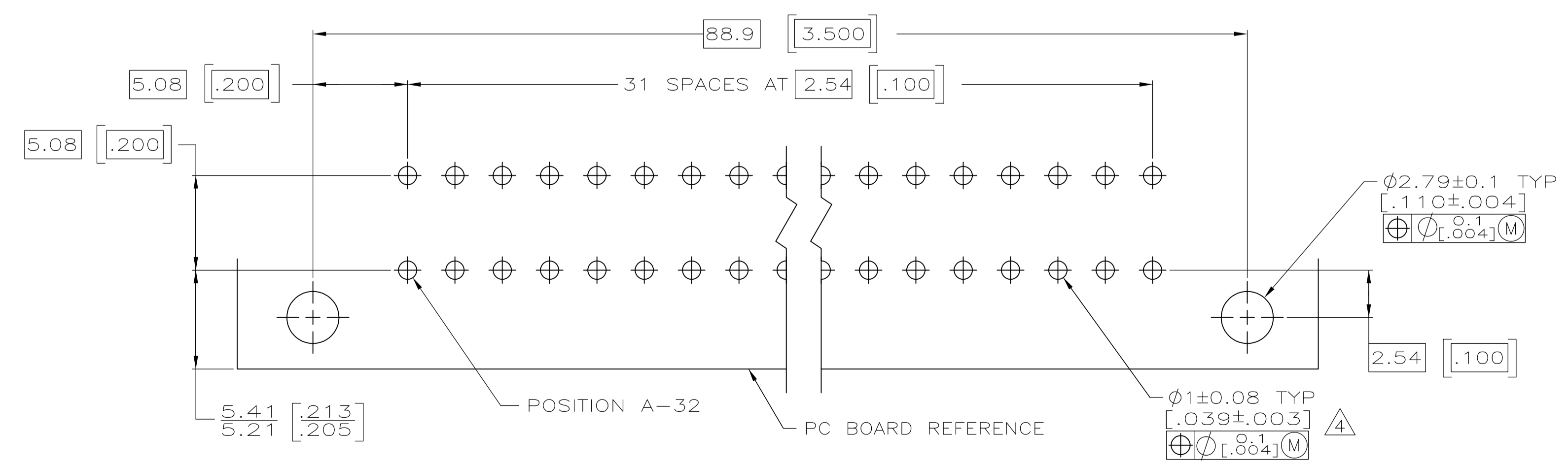
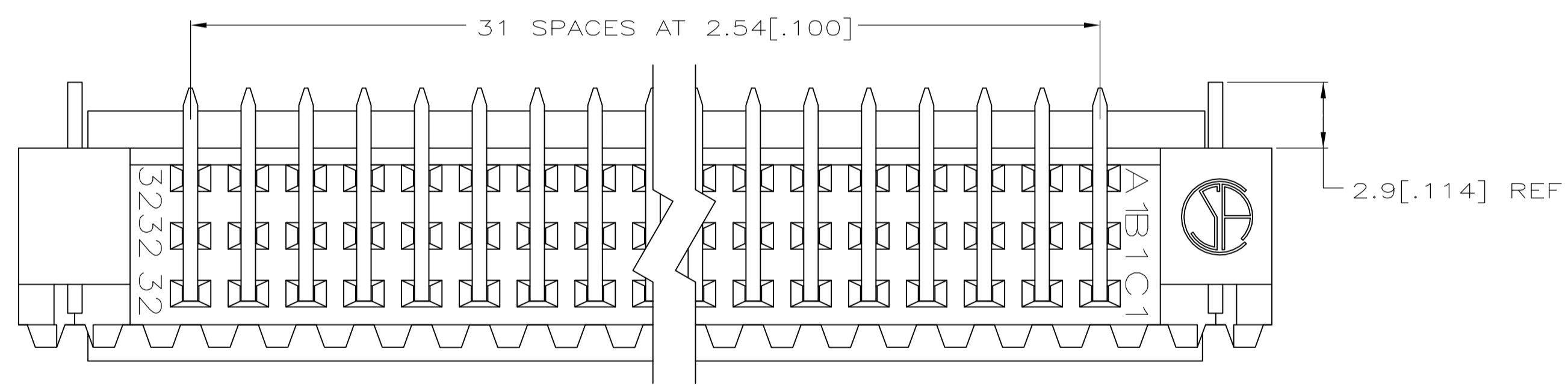


- ① HOUSING MATERIAL: GLASS-FILLED POLYMER.
- ② POST MATERIAL: COPPER ALLOY.
- ③ POST FINISH: DIN 41612 CLASS 2 IN CONTACT AREA. TIN PLATE ON POSTS.
- ④ RECOMMENDED HOLE SIZE FOR MANUAL APPLICATION OF CONNECTOR ONTO PC BOARD.
- ⑤ [PART NUMBER, DATE CODE] MARKED THIS APPROXIMATE AREA.
- ⑥ MARKING ON THIS SIDE.



SECTION X-X



PC BOARD LAYOUT  
 RECOMMENDED PC BOARD THICKNESS 1.57[.062]

1-32	X	-	X	96	5536356-5
POSITIONS LOADED	C	B	A	NO. OF LOADED	ASSY PART NUMBER

THIS DRAWING IS A CONTROLLED DOCUMENT.

DIMENSIONS: mm [INCHES]	TOLERANCES UNLESS OTHERWISE SPECIFIED:	DIN J. POLIGNONE OSMAYOS	Tyco Electronics Corporation Harrisburg, Pa 17105-3608
0 PLC ± -	1 PLC ± -	OSMAYOS	NAME
2 PLC ± 0.13[.005]	3 PLC ± -	A. SHARPE OSMAYOS	ASSEMBLY, PIN, EUROCARD, TYPE C, A and C, 64/96 POSITION, .104 SOLDER POST WITH BOARD-LOCKS
4 PLC ± -	ANGLES ± -	APPLICATION SPEC	SIZE CASE CODE DRAWING NO
MATERIAL	FINISH	WEIGHT	A1 00779 C=5536356
		CUSTOMER DRAWING	RESTRICTED TO

SCALE 5:1 SHEET 1 OF 1 REV 01