

1.0 INTRODUCTION

This user's manual is for the XR28V384 and XR28V382 evaluation board. The XR28V384 is a 4-channel UART with a Low Pin Count (LPC) bus interface. The XR28V382 is the 2-channel version available in a smaller 32-pin QFN package.

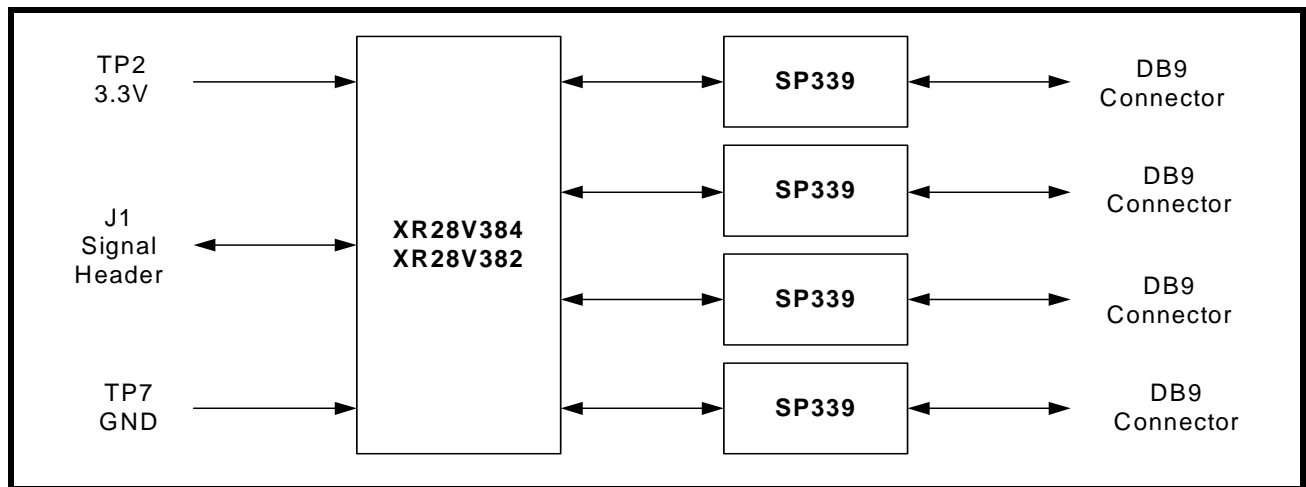
TABLE 1: EVALUATION BOARD ORDERING PART NUMBERS

DEVICE ORDERING PART NUMBER	EVALUATION BOARD ORDERING PART NUMBER	DEVICE PACKAGE	DEVICE LOCATION
XR28V384IM48-F	XR28V384IM48-0A-EB	48-pin TQFP	U3
XR28V382IL32-F	XR28V382IL32-0A-EB	32-pin QFN	U2

2.0 EVALUATION BOARD OVERVIEW

A block diagram of the evaluation board is shown in Figure 1 below.

FIGURE 1. EVALUATION BOARD BLOCK DIAGRAM

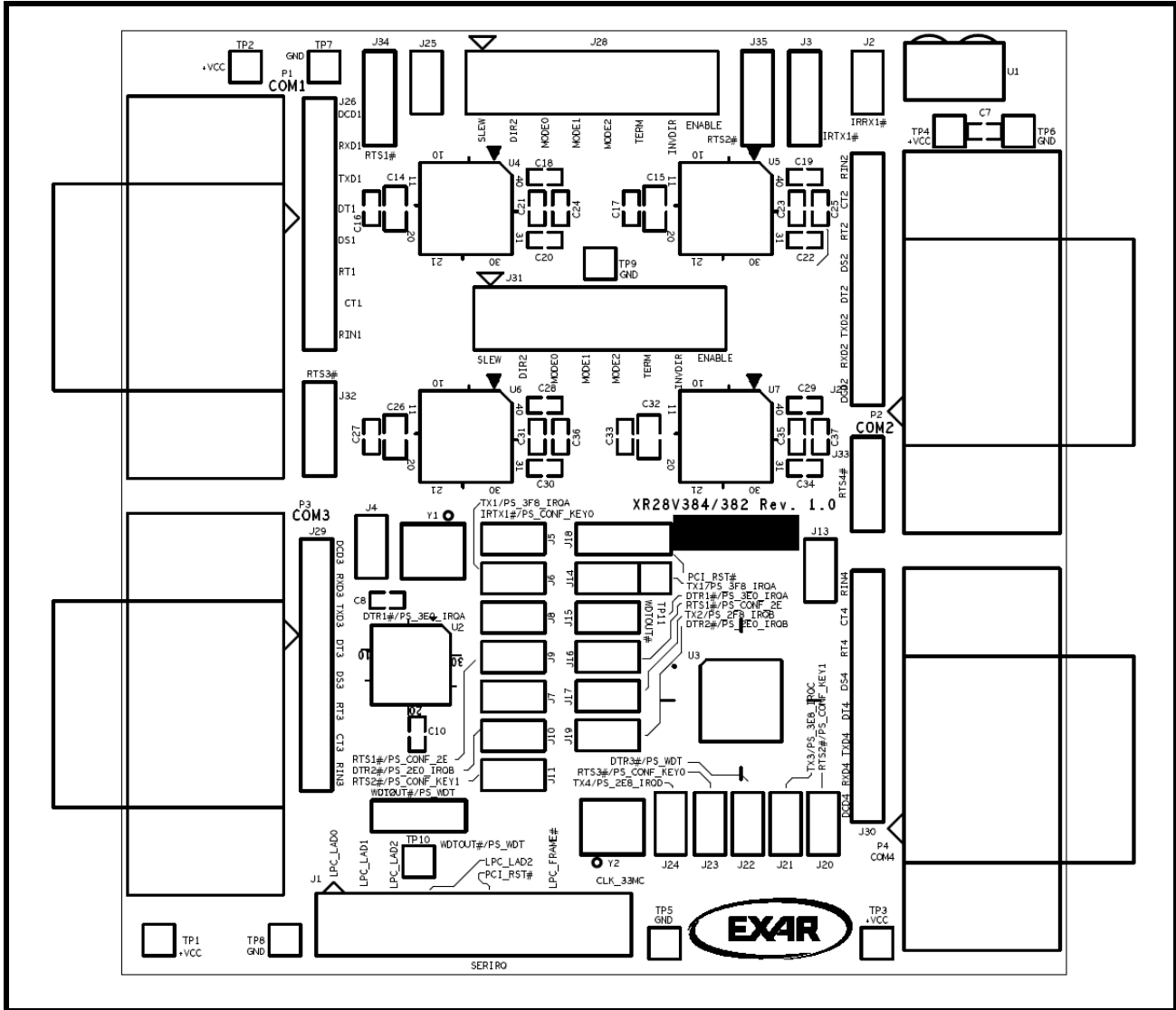


In addition to the XR28V384 or XR28V382, there is an Exar SP339 Multiprotocol transceiver on this evaluation board. The SP339 can be configured for Loopback, RS-232, Half-Duplex RS-485 or Full-Duplex RS-485/422 Modes. The default setting when shipped from the factory is RS-232 mode.

Figure 2 on the next page shows the top view of the evaluation board with all of the components, connectors and headers labeled. A higher resolution PDF file for the top and bottom views are also included on the CD that is shipped with the evaluation board.

XR28V384/382 EVALUATION BOARD USER'S MANUAL

FIGURE 2. TOP VIEW OF EVALUATION BOARD





3.0 HARDWARE CONFIGURATIONS

This sections describes the default settings when shipped from the factory and what jumper setting changes are required when changing modes.

3.1 Power Requirements

External power is required for this board to function properly.

TABLE 2: POWER REQUIREMENTS

TEST POINT	DESCRIPTION
TP2	Apply an external +3.3V supply to this test point (or any other +3.3V test point).
TP7	Connect GND of external power supply to this test point (or any other GND test point).

3.2 LPC Bus Interface

All of the LPC interface signals are located on connector J1. These signals will need to be connected to an external LPC host controller. Table 2 below provides a brief description of each signal.

TABLE 3: LPC BUS INTERFACE SIGNALS

PIN NUMBER	SIGNAL NAME	INPUT/OUTPUT	DESCRIPTION
J1.1	LPC_LAD0	I/O	LPC Bus Address/Data bit-0
J1.3	LPC_LAD1	I/O	LPC Bus Address/Data bit-1
J1.5	LPC_LAD2	I/O	LPC Bus Address/Data bit-2
J1.7	LPC_LAD3	I/O	LPC Bus Address/Data bit-3
J1.11	PCI_RST#	Input	LPC Bus Reset
J1.15	LPC_FRAME#	Input	LPC Frame Signal
J1.19	CLK_33MC	Input	33MHz PCI/LPC clock
J1.12	SERIRQ	Open-Drain Output	Serial IRQ

Refer to the datasheet for complete details and descriptions of each signal.

3.3 XR28V384 Configuration Jumper Settings

3.3.1 Reset

For normal operation, a jumper should be installed between J18.1 and J18.2. If a jumper is installed between J18.2 and J18.3, the XR28V384 will be in reset mode.

3.3.2 Configuration Port Selection

TABLE 4: CONFIGURATION PORT SELECTION

JUMPER (J16)	INDEX PORT ADDRESS	DATA PORT ADDRESS
YES	0x4E	0x4F
NO	0x2E	0x2F

3.3.3 Configuration Entry Key Selection

TABLE 5: CONFIGURATION ENTRY KEY SELECTION

JUMPER1 (J20)	JUMPER2 (J23)	ENTRY KEY
YES	YES	0x77
YES	NO	0xA0
NO	YES	0x87
NO	NO	0x67

3.3.4 Base Address Selection

The XR28V384 has weak internal pull-up resistors for the configuration pins. On the evaluation board, there are pull-down resistors for selecting the base address and to enable/disable the different functions. "Yes" in the tables in the following sections indicate that the jumpers are installed.

3.3.4.1 UART Channel A Base Address Selection

TABLE 6: UART CHANNEL A BASE ADDRESS SELECTION

JUMPER1 (J14)	JUMPER2 (J15)	BASE ADDRESS
NO	NO	0x3F8
NO	YES	0x3F8
YES	NO	0x3E0
YES	YES	0x000 (disabled)

3.3.4.2 UART Channel B Base Address Selection

TABLE 7: UART CHANNEL B BASE ADDRESS SELECTION

JUMPER1 (J17)	JUMPER2 (J19)	BASE ADDRESS
NO	NO	0x2F8
NO	YES	0x2F8
YES	NO	0x2E0
YES	YES	0x000 (disabled)



3.3.4.3 UART Channel C Base Address

There are no selections for channel C. Channel C base address defaults to 0x3E8, if enabled. Channel C is enabled if there is no jumper installed on J21.

TABLE 8: UART CHANNEL C BASE ADDRESS

JUMPER (J21)	BASE ADDRESS
NO	0x3E8
YES	0x000 (disabled)

3.3.4.4 UART Channel D Base Address

There are no selections for channel D. Channel D base address defaults to 0x2E8, if enabled. Channel C is enabled if there is no jumper installed on J24.

TABLE 9: UART CHANNEL D BASE ADDRESS

JUMPER (J24)	BASE ADDRESS
NO	0x2E8
YES	0x000 (disabled)

3.3.4.5 Watchdog Timer Base Address

The watchdog timer base address defaults to 0x442. The watchdog timer is enabled if there is no jumper installed on J22.

TABLE 10: WATCHDOG TIMER BASE ADDRESS

JUMPER (J24)	BASE ADDRESS
NO	0x2E8
YES	0x000 (disabled)

NOTE: All base address registers can be overwritten after power-up. See the datasheet for details.

3.4 Jumper Settings for XR28V382

3.4.1 Reset

For normal operation, a jumper should be installed between J18.1 and J18.2. If a jumper is installed between J18.2 and J18.3, the XR28V382 will be in reset mode.

3.4.2 Configuration Port Selection

TABLE 11: CONFIGURATION PORT SELECTION

JUMPER (J11)	INDEX PORT ADDRESS	DATA PORT ADDRESS
YES	0x4E	0x4F
NO	0x2E	0x2F

3.4.3 Configuration Entry Key Selection

TABLE 12: CONFIGURATION ENTRY KEY SELECTION

JUMPER1 (J9)	JUMPER2 (J5)	ENTRY KEY
YES	YES	0x77
YES	NO	0xA0
NO	YES	0x87
NO	NO	0x67

3.4.4 Base Address Selection

The XR28V382 has weak internal pull-up resistors for the configuration pins. On the evaluation board, there are pull-down resistors for selecting the base address and to enable/disable the different functions. "Yes" in the tables in the following sections indicate that the jumpers are installed.

3.4.4.1 UART Channel A Base Address Selection

TABLE 13: UART CHANNEL A BASE ADDRESS SELECTION

JUMPER1 (J6)	JUMPER2 (J8)	BASE ADDRESS
NO	NO	0x3F8
NO	YES	0x3F8
YES	NO	0x3E0
YES	YES	0x000 (disabled)

3.4.4.2 UART Channel B Base Address Selection

TABLE 14: UART CHANNEL B BASE ADDRESS SELECTION

JUMPER1 (J7)	JUMPER2 (J10)	BASE ADDRESS
NO	NO	0x2F8
NO	YES	0x2F8
YES	NO	0x2E0
YES	YES	0x000 (disabled)

3.4.4.3 Watchdog Timer Base Address

The watchdog timer base address defaults to 0x442. The watchdog timer is enabled if there is no jumper installed on J22.

TABLE 15: WATCHDOG TIMER BASE ADDRESS

JUMPER (J24)	BASE ADDRESS
NO	0x2E8
YES	0x000 (disabled)



A New Direction in Mixed-Signal

REV. 1.0.0

XR28V384/382 EVALUATION BOARD USER'S MANUAL

4.0 SOFTWARE

4.1 BIOS Support

There BIOS needs to have support for detecting and/or configuring devices on the LPC bus. If the BIOS does not support this function and this function is not added to the BIOS, then the operating system may not be able access some or all of these ports.

4.2 Software Drivers

The XR28V384 and XR28V382 are software compatible with the industry standard 16550 UARTs. Hence, they will work with any OS that has a standard serial port driver such as Windows and Linux.

5.0 TECHNICAL SUPPORT

For any questions about this evaluation board, software drivers or technical support, send an e-mail to uarttechsupport@exar.com.

NOTICE

EXAR Corporation reserves the right to make changes to the products contained in this publication in order to improve design, performance or reliability. EXAR Corporation assumes no responsibility for the use of any circuits described herein, conveys no license under any patent or other right, and makes no representation that the circuits are free of patent infringement. Charts and schedules contained here in are only for illustration purposes and may vary depending upon a user's specific application. While the information in this publication has been carefully checked; no responsibility, however, is assumed for inaccuracies.

EXAR Corporation does not recommend the use of any of its products in life support applications where the failure or malfunction of the product can reasonably be expected to cause failure of the life support system or to significantly affect its safety or effectiveness. Products are not authorized for use in such applications unless EXAR Corporation receives, in writing, assurances to its satisfaction that: (a) the risk of injury or damage has been minimized; (b) the user assumes all such risks; (c) potential liability of EXAR Corporation is adequately protected under the circumstances.

Copyright 2014 EXAR Corporation

Datasheet January 2014.

Send your UART technical inquiry with technical details to hotline: uarttechsupport@exar.com.

Reproduction, in part or whole, without the prior written consent of EXAR Corporation is prohibited.
