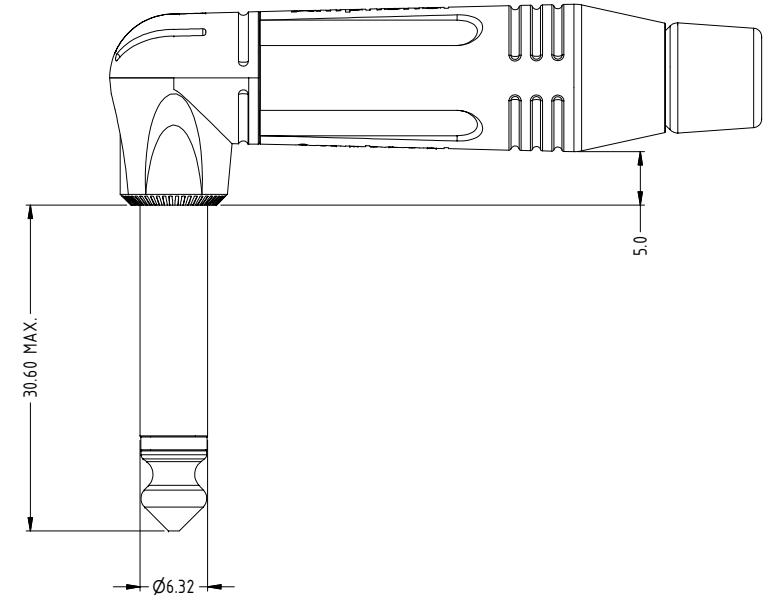
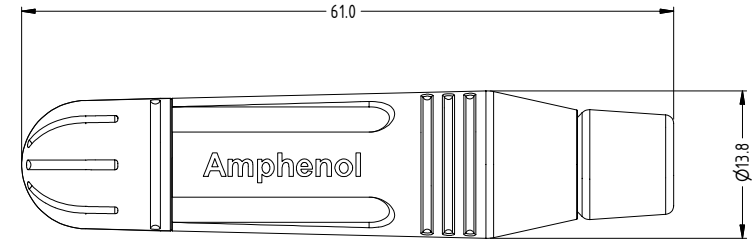
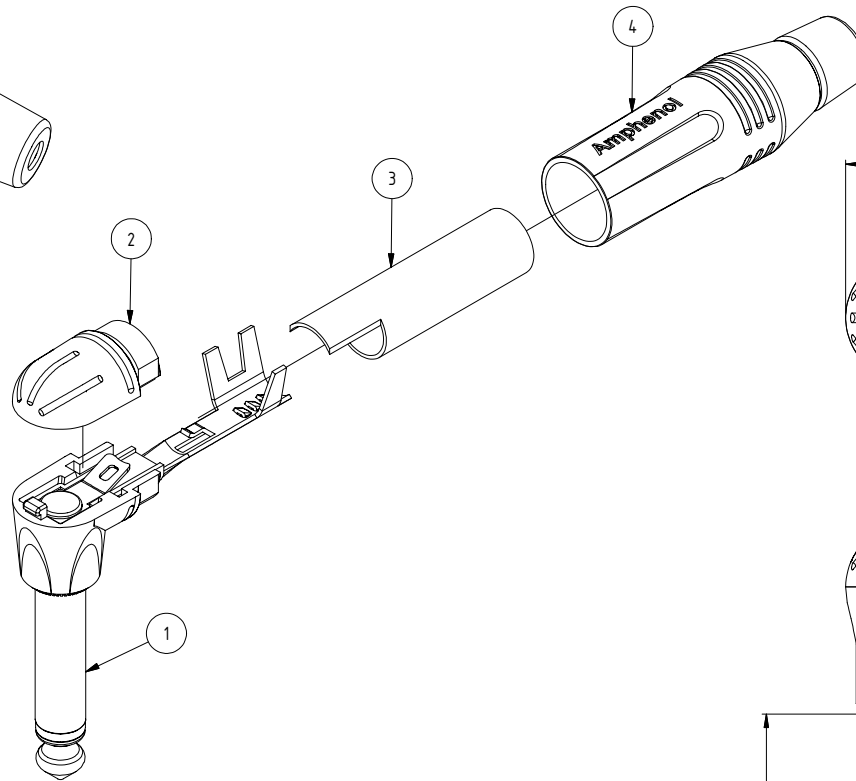


ISO VIEW



Mono Connector Assembly - Parts List				
ITEM	PART NUMBER	DWG No	DESCRIPTION	QTY
1	50310028-*30	50310028-130-1	RA-MONO PLUG INSERT CONTACT ASSEMBLY	1
2	50300105-*21	50300105-121-1	RA-TOP CAP	1
3	51270031-521	51270031-521-1	RA-BIG TUBE PVC INSULATOR	1
4	53490001-*31	53490001-331-1	M-SERIES BACKSHELL ASSEMBLY	1

Part Number according to Shell and Contact Finish			
CATALOGUE P/No.	REFERENCE P/No.	SHELL FINISH	CONTACT FINISH
ACPM-RN	55010303-000	NICKEL	NICKEL TIP AND SLEEVE
ACPM-RN-AU	55010303-001	NICKEL	GOLD TIP AND SLEEVE
ACPM-RB	55010303-002	BLACK	NICKEL TIP AND SLEEVE
ACPM-RB-AU	55010303-003	BLACK	GOLD TIP AND SLEEVE

UNLESS OTHERWISE SPECIFIED TOLERANCE TO BE		THIS DOCUMENT IS THE PROPERTY OF AMPHENOL AUSTRALIA PTY LTD. NO PART THEREOF MAY BE REPRODUCED AND USED WITHOUT THE PRIOR WRITTEN CONSENT OF THE OWNER				1 UPDATE ASSEMBLY TO COMPLY WITH MODIFIED COMPONENTS		L.V	10-05-05	8374
LINEAR		ANGULAR		CAD FILE: 55010303000111		0 FIRST ISSUE		L.V	26-08-04	----
X ± 0.5	X ± 1	X'X' ± 30'		DSD: L.V		REV.		BY	DATE	CHG/No
XX ± 0.1	XX' ± 30'	X'X' ± 15'		DATE: 26-08-04		CHANGE DETAILS				
BREAK ALL SHARP EDGES AND REMOVE ALL BURRS		MATERIAL: REFER TO COMPONENTS		CKD: M.N.H		DATE: 17-06-05		TITLE: 1/4" PHONE PLUG RA - MONO CONNECTOR ASSY		
DO NOT SCALE		FINISH: SEE TABLE		APP'D: P.M		DATE: 29-06-05		DRAWING NO. 55010303-000-1		
DIMENSIONS IN MILLIMETRES		THIRD ANGLE PROJECTION		SCALE: 2:1 UOS		PART No: REFER TO TABLE		SIZE: A3		SHEET 1/1

Amphenol

Amphenol Australia Pty Ltd, 2 Fineways Blvd, Keysborough, Vic3173