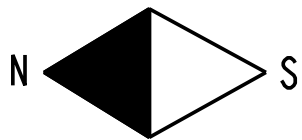


NOTES:

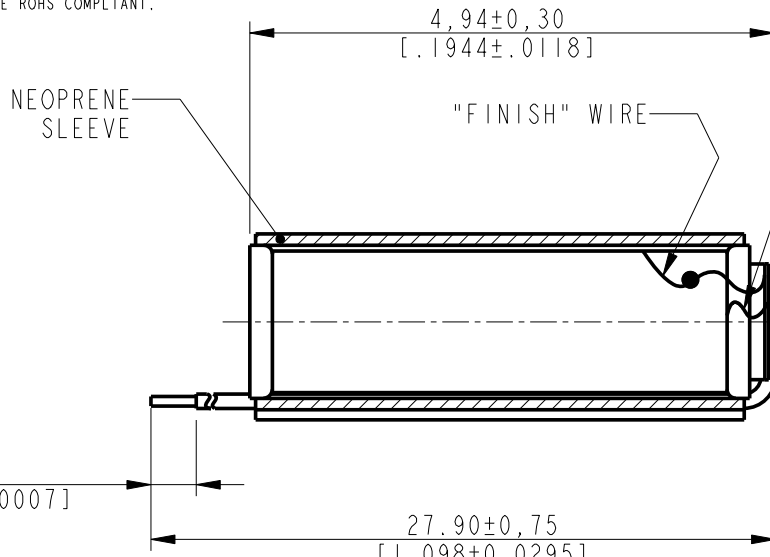
1. COIL WOUND USING COPPER MAGNET WIRE WITH CLASS 155 SINGLE BUILD POLYURETHANE INSULATION.
2. FINISH WIRE ON COIL IS SECURED WITH BLUE DOT OF PAINT.
3. BOBBIN IS FULLY ANNEALED HYMU80 WITH PARYLENE COATING.
4. WITH A POSITIVE DC VOLTAGE APPLIED TO THE "FINISH" WIRE, THE MAGNETIC FIELD WILL ATTRACT A COMPASS NEEDLE AS SHOWN.
5. START & FINISH WIRE TO LIE TIGHT AGAINST COIL.
6. COIL TO BE DIPPED AT LEAST 3 TIMES WITH 13-863 (CONATHANE CE-1164) TO PROVIDE A UNIFORM LAYER OF PROTECTION ON COIL WIRES.
7. Q VALUE OVER 4 AT FREQUENCY OF 50KHZ.
8. * SENSITIVITY MEASUREMENT IN dB re 1.0 VOLT WITH A MAGNETIC FIELD STRENGTH OF 1 A/M APPLIED TO THE COIL, LONG AXIS OF THE TELECOIL IS PARALLEL TO THE TEST MAGNETIC FIELD.
9. BEND LITZ WIRES AGAINST THE COIL BEFORE CONATHANE DIP. USE CYANOACRYLATE TO SECURE THE LOOSE END OF THE WIRES TO THE FLANGE.
10. NEOPRENE SLEEVE TO BE CENTERED ON THE COIL, EDGES OF THE SLEEVE CANNOT EXTEND BEYOND EITHER FLANGE AND INCREASE THE LENGTH OF THE COIL.
11. SOLDER SHALL NOT CONTAIN LEAD. MUST BE ROHS COMPLIANT.

ELECTRICAL CHARACTERISTICS

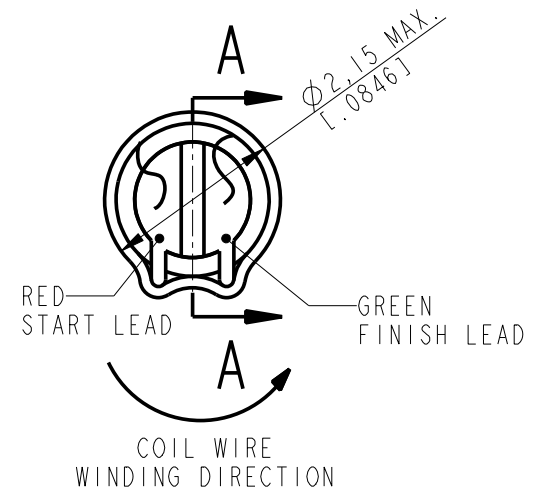
# OF TURNS	WIRE SIZE	INDUCTANCE @ 1KHZ (mH)±15%	DCR@25°C (ohms)±10%	SENSITIVE @ 1KHZ (dB) ±2dB	w/10k Ω LOAD ±2db
6200	56H HIGH RESISTANCE (B)	185	2850	-62.3	-64.3



TINNING
0,4±0,02
[.0157±.0007]



SECTION A - A



RED CONTROLLED

				SCALE: 15:1		MATERIAL: - - -
				FUNDAMENTAL TOLERANCE: ± 0,03 [0.001]		HEAT TREATMENT:
				ANGLE TOLERANCE: ± 1°		FINISH:
				MISMATCH TOLERANCE: ± 0,03 [0.001]		TITLE:
B	C10104995	11/03/06	BCS	DESIGNED	01/10/06	FINISHED 08 COIL W/RADIAL TERMINAL PAD AND TUBING
A	C10103768	01/12/06	BCS	CHECKED	01/10/06	
REV.	CHANGE #	DATE	NAME	RELEASED	01/10/06	
PROPRIETARY NOTE: THIS DOCUMENT CONTAINS INFORMATION WHICH IS THE PROPRIETARY PROPERTY OF KNOWLES ELECTRONICS, LLC. OR ITS AFFILIATED ENTITIES. IT IS ISSUED IN STRICT CONFIDENCE AND SHALL NOT BE REPRODUCED, COPIED, USED, OR DISCLOSED TO ANY THIRD PARTY PARTIALLY OR WHOLLY IN ANY MANNER WITHOUT PRIOR WRITTEN PERMISSION OF, AND MUST BE RETURNED UPON REQUEST BY, KNOWLES ELECTRONICS, LLC.						RELEASED LEVEL: Active
						DRAWING NUMBER: 5100-253662
						SHEETS: 1 of 1