

H G F E D C B A

4

3

2

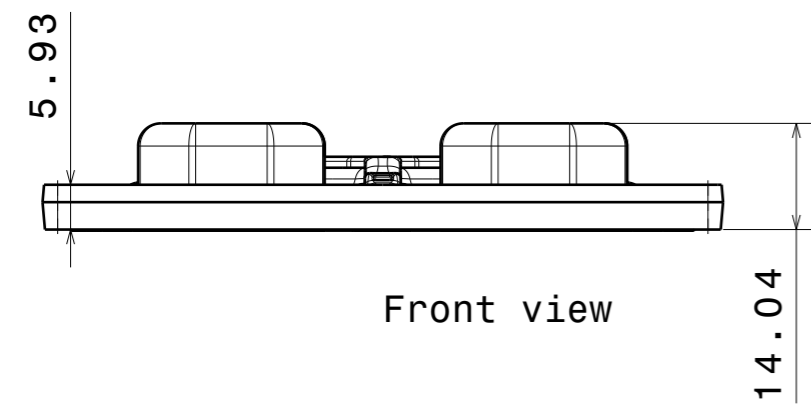
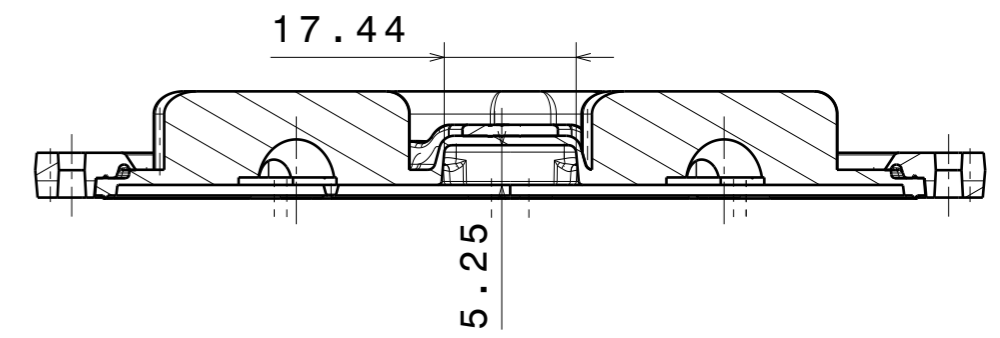
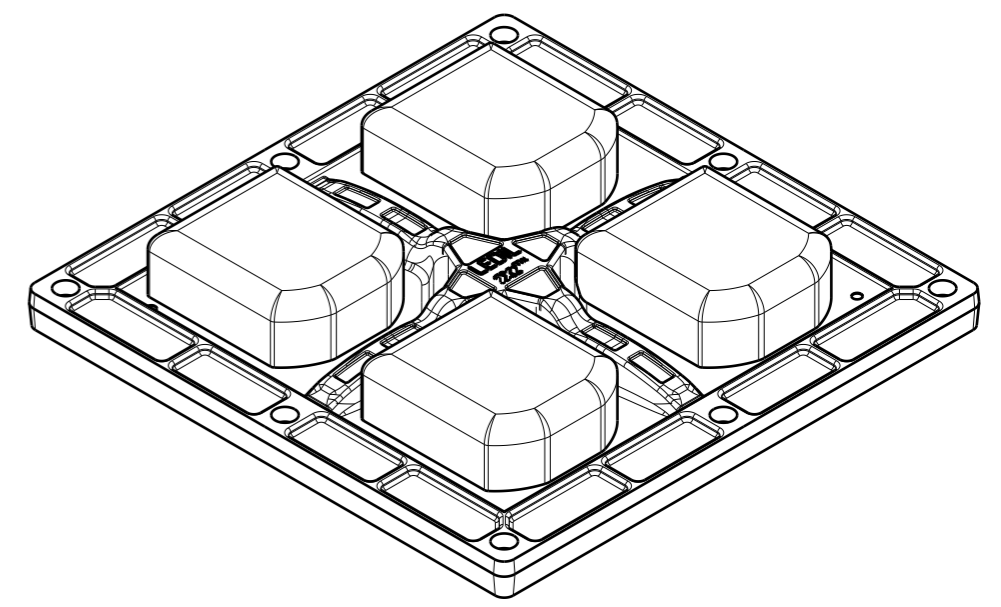
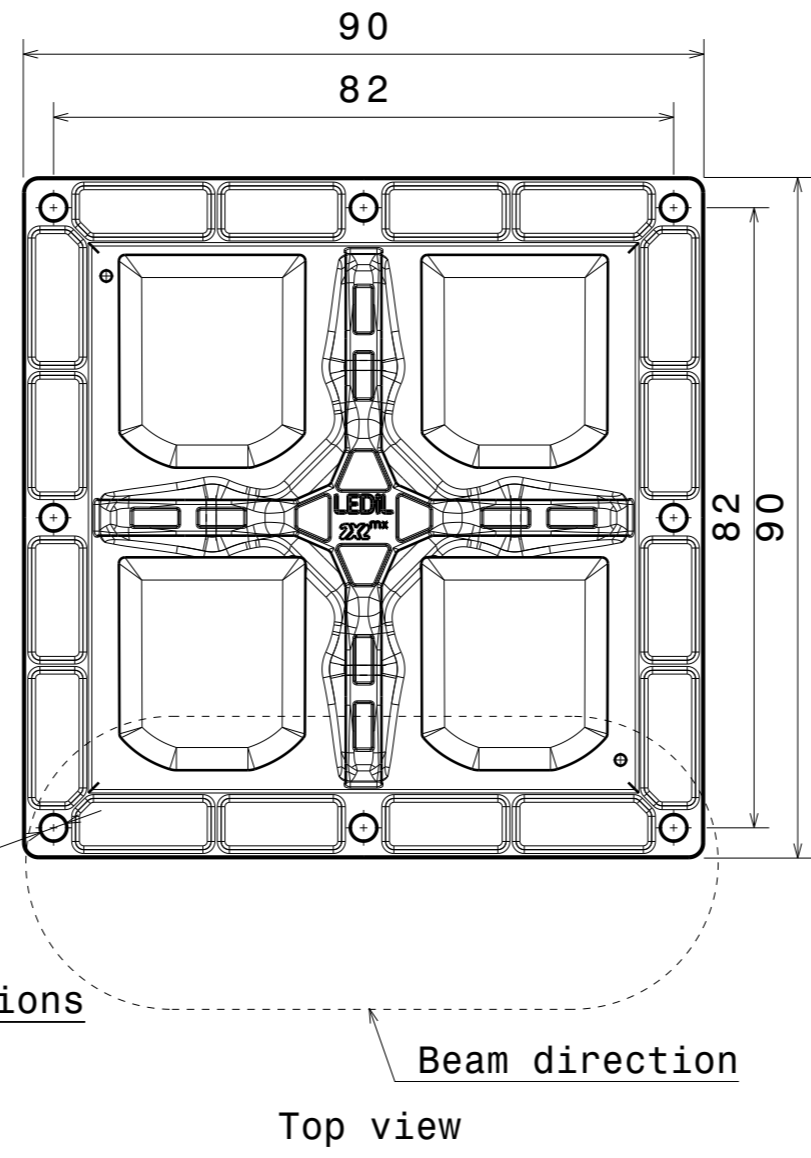
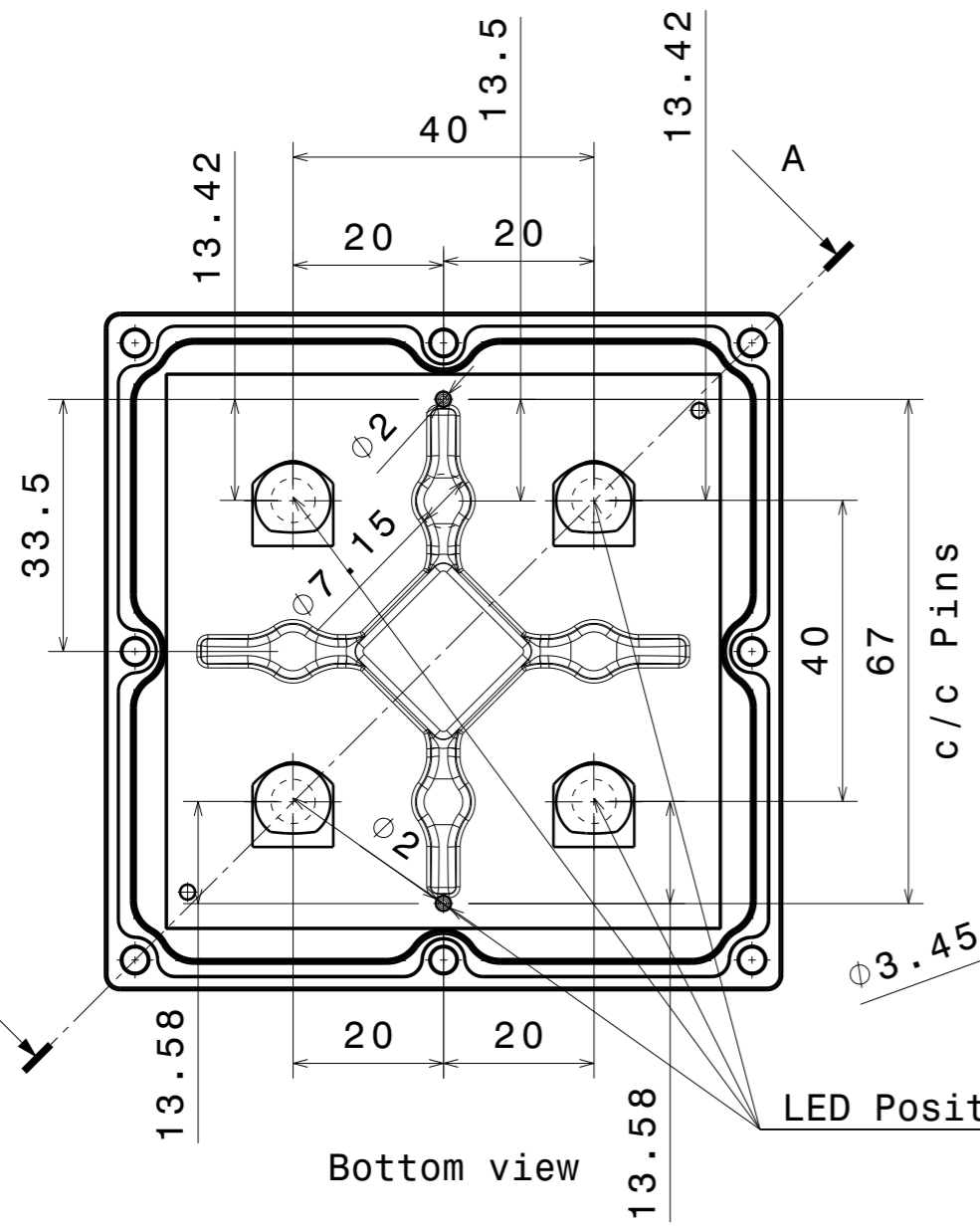
1

4

3

2

1



INDEX	PART NO	DESCRIPTION	MATERIAL	COLOUR
1	F14813	STRADA-2X2MXS-FRAME	PA GF	black
2	F15672	STRADA-2X2MXS-T4-B	Silicone	

Tolerances if not otherwise shown  
According to DIN ISO 2768-1  
Linear measures:  
Up to 30mm class M, otherwise class C  
According to DIN ISO 2768-2  
Form and position: class L

THIRD ANGLE PROJECTION:

This drawing is the property of LEDiL Oy. It may not be reproduced, copied or communicated without a written agreement with LEDiL Oy.

		LediL Oy Salorankatu 10 FIN 24240 SALO Finland		
DRAWING TITLE FP15672_STRADA-2X2MXS-T4-B				
SIZE	PART NUMBER			
A3	FP15672			
SCALE	1:1	WEIGHT	44 g	SHEET 1/1

H G F E D C B A