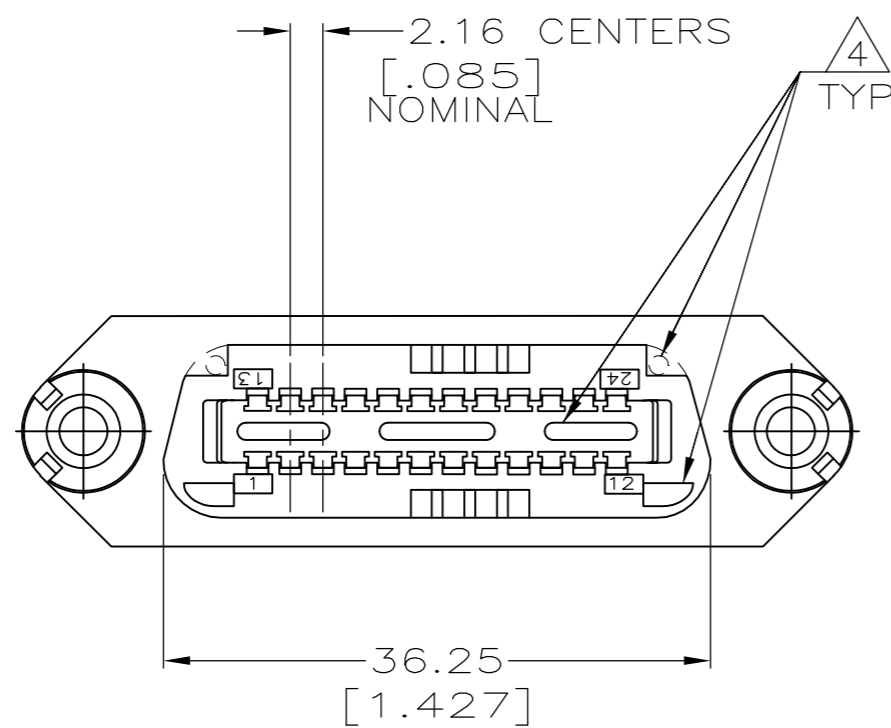
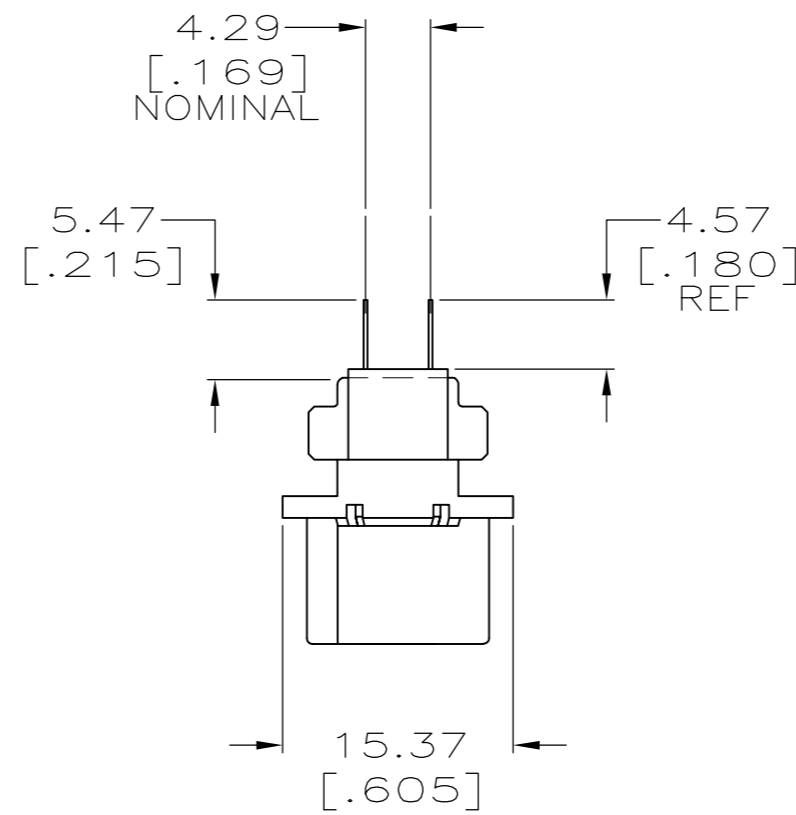
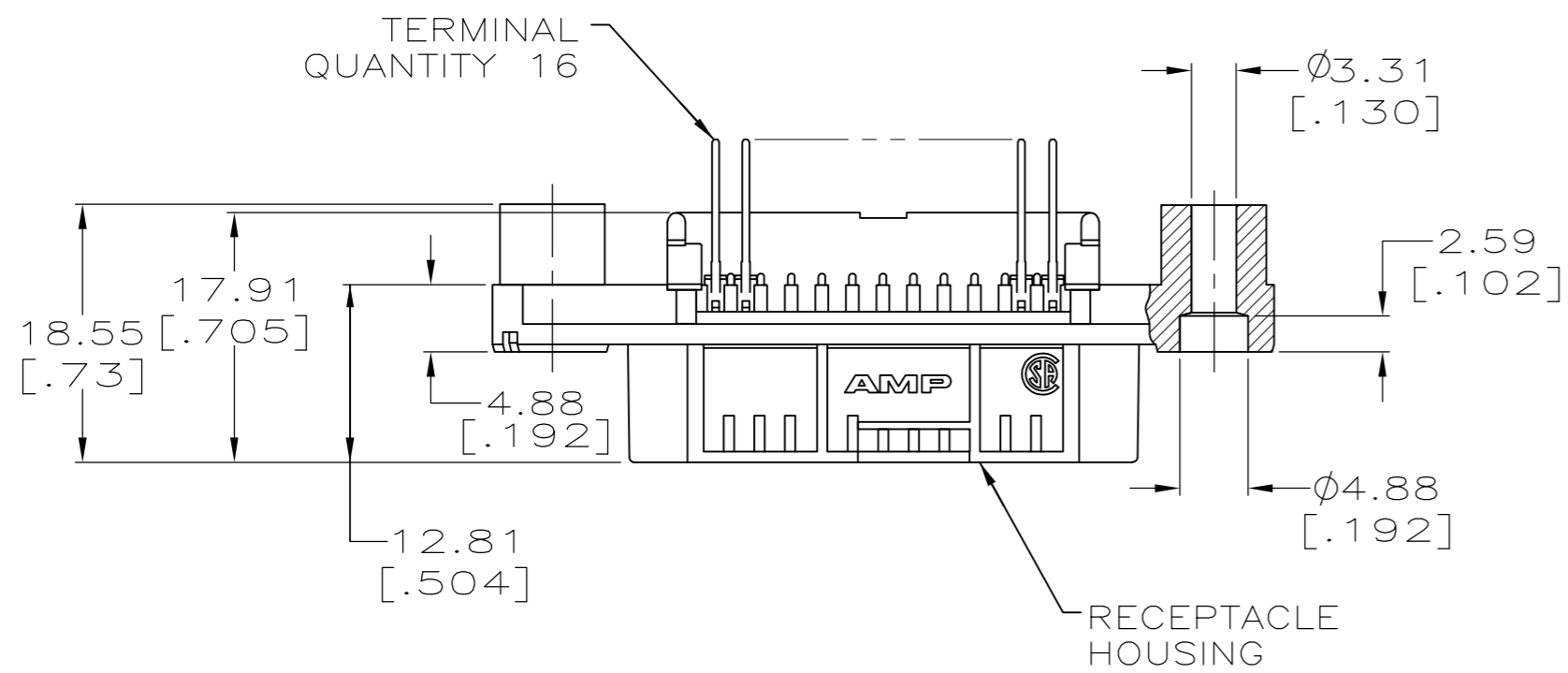
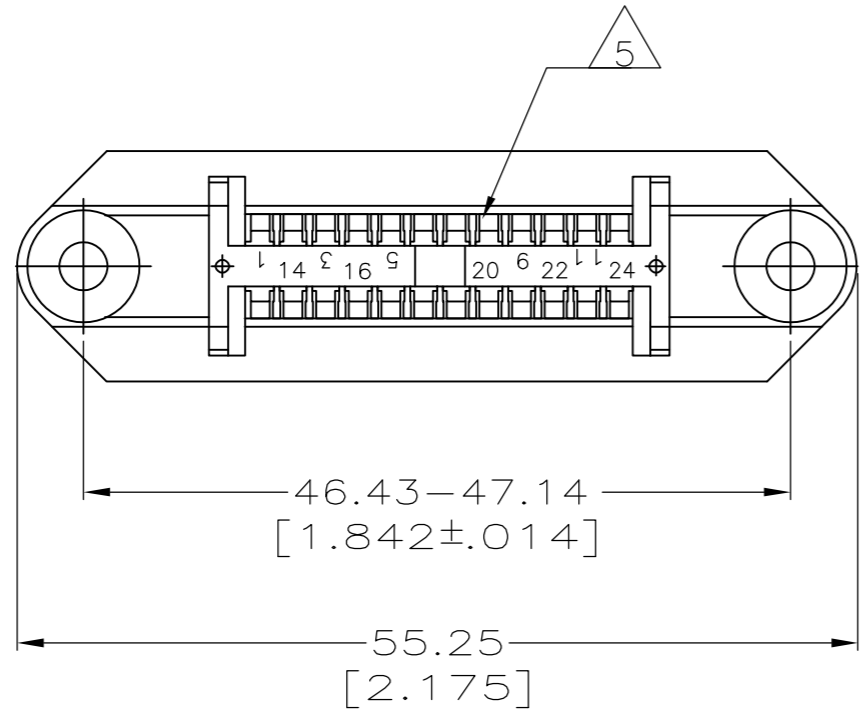


THIS DRAWING IS UNPUBLISHED. RELEASED FOR PUBLICATION
 © COPYRIGHT BY TYCO ELECTRONICS CORPORATION. ALL RIGHTS RESERVED.

LOC		DIST		REVISIONS			
P	LTR	DESCRIPTION		DATE	DWN	APVD	
B		REVISED PER ECO-08-007327		05SEP08	BM	WM	

- 1. DIMENSIONS ARE MAXIMUM UNLESS OTHERWISE SPECIFIED.
- 2. THE CONTACT SURFACES OF THE TERMINALS ARE COATED WITH LUBRICANT.
- 3. MATERIAL:
HOUSING - THERMOPLASTIC, BLACK.
TERMINALS - PHOS BRONZE PLATED WITH EITHER 0.76µm [.000030] MINIMUM GOLD PLATE OR GOLD FLASH OVER PALLADIUM NICKEL PLATE, 0.76µm [.000030] MINIMUM TOTAL ON MATING SURFACE. 3.05µm [.000120] MINIMUM TIN PLATE ON TAILS OVER 1.27µm [.000050] MINIMUM NICKEL UNDERPLATE OVER ENTIRE TERMINAL.
- 4. THIS FEATURE IS A CORED AREA AND IS OPTIONAL ON PART.
- 5. PIN #'S 6, 7, 8, 9, 18, 19, 20 AND 21 ARE OMITTED.



6761358-1
PART NUMBER

THIS DRAWING IS A CONTROLLED DOCUMENT.		DWN G.PETERS 30SEP05	Tyco Electronics Corporation Harrisburg, Pa 17105-3608		
DIMENSIONS: mm [INCHES]		CHK W. MILLHIMES 30SEP05			
TOLERANCES UNLESS OTHERWISE SPECIFIED:		APVD M. WALMSLEY 30SEP05	NAME 2005		
0 PLC ± -	1 2 3 4 ANGLES ± - FINISH 3	PRODUCT SPEC -	W/ 16 PINS. VERTICAL MOUNTING WITH STANDOFFS, CHAMP-LOK		
1 PLC ± -		APPLICATION SPEC -	SIZE A2	CAGE CODE 00779	DRAWING NO C=6761358
2 PLC ± -		WEIGHT -	RESTRICTED TO -		
3 PLC ± -		CUSTOMER DRAWING	SCALE 2:1	SHEET 1 OF 1	REV B