

注記  
NOTE

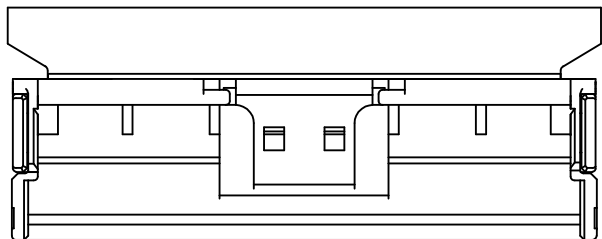
1. 使用材料  
MATERIAL
- ハウジング  
HOUSING : 液晶ポリマー (LCP)、ガラス充填、  
UL94V-0 色: 黒色  
LIQUID CRYSTAL POLYMER(LCP)  
GLASS FILLED,UL94V-0 COLOR:BLACK
- ターミナル  
TERMINAL : 銅合金(τ=0.18)  
ニッケル下地 錫ビスマスメッキ  
COPPER ALLOY(τ=0.18)  
Sn-Bi PLATING OVER NICKEL PLATING.
- 金具  
FITTING NAIL : 銅合金(τ=0.25)  
ニッケル下地 錫メッキ  
COPPER ALLOY(τ=0.25)  
TIN OVER NICKEL PLATING.

- △2 N=偶数に適用 (N:極数)  
APPLY FOR N-EVEN(CIRCUIT)
- △3 パターン剥離止め用金具  
FITTING NAIL FOR PREVENTION OF PEELING  
OF P.C.B. PATTERN.
- △4 適合ジャケット: 501783-\*\*09  
製品詳細寸法はSD-501783-001を参照下さい。  
APPLICABLE JACKET:501783-\*\*09  
RE DETAILED DIMENSION,SEE SD-501783-001.
- △5 適合ジャケットカバー: 501784-\*\*09  
製品詳細寸法はSD-501784-001を参照下さい。  
APPLICABLE JACKET:501784-\*\*09  
RE DETAILED DIMENSION,SEE SD-501784-001.

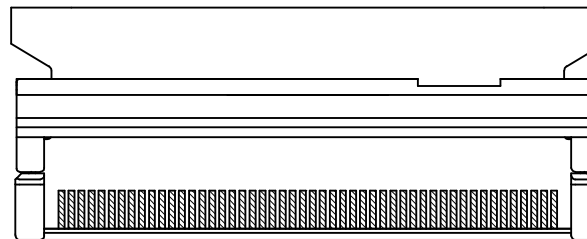
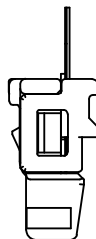
参考基板レイアウト  
P.C. BOARD PATTERN  
DIMENSION(REF.)  
(マウント面)  
(MOUNTING SIDE)

27.2	29.1	24.5	33.1	501786-5021	50
22.2	24.1	19.5	28.1	501786-4021	40
17.2	19.1	14.5	23.1	501786-3021	30
D	C	B	A	MATERIAL NO.	極数

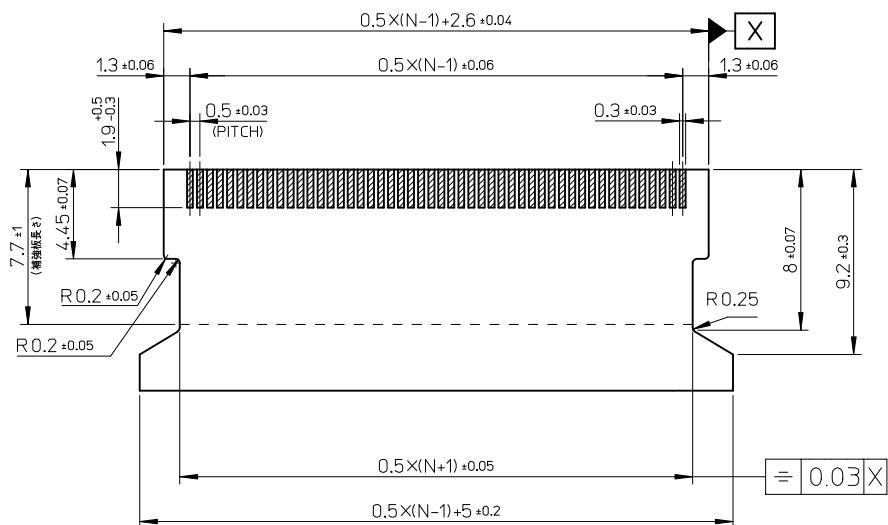
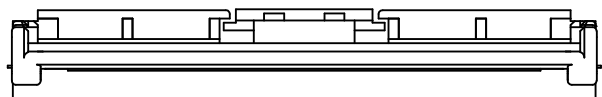
REVISED EC NO: J2013-0731 DR:MNK/NAGUMO 2012/08/02 CHKD:K.TAKAHASHI 2012/08/03 APPR:KMORIKAWA 2013/01/07	DESCRIPTION	GENERAL TOLERANCES (UNLESS SPECIFIED)		DIMENSION STYLE MM ONLY		SCALE 1:1	DESIGN UNITS METRIC	THIRD ANGLE PROJECTION
		10 UNDER	±0.2	DRAWN BY H. IJIMA	DATE 06/01/13	TITLE 0.5 FFC TO BOARD CONN REC HSG ASSY(ST)  <b>molex</b> DOCUMENT NO. SD-501786-004 SHEET NO. 1 OF 2		
		10 OVER 30 UNDER	±0.25	CHECKED BY K. TAKAHASHI	DATE 06/01/13			
		30 OVER	±0.3	APPROVED BY H. HIRATA	DATE 06/01/13			
ANGULAR	±1	MATERIAL NO. 501786-**21						
A	REV	DRAFT WHERE APPLICABLE MUST REMAIN WITHIN DIMENSIONS		SIZE A3	THIS DRAWING CONTAINS INFORMATION THAT IS PROPRIETARY TO MOLEX INCORPORATED AND SHOULD NOT BE USED WITHOUT WRITTEN PERMISSION			



△ ジャケット  
JACKET

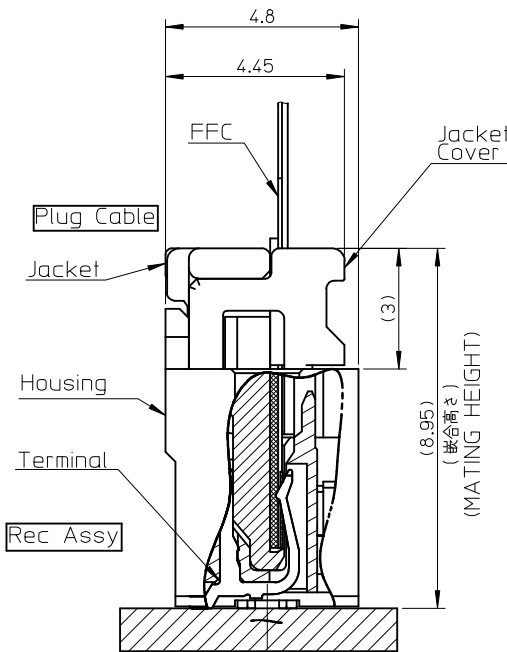


△ ジャケットカバー  
JACKET COVER



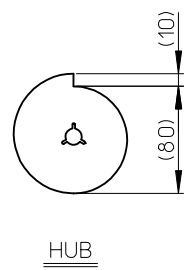
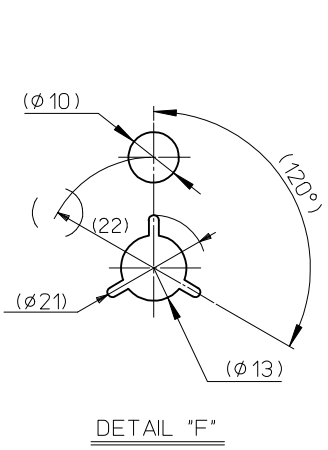
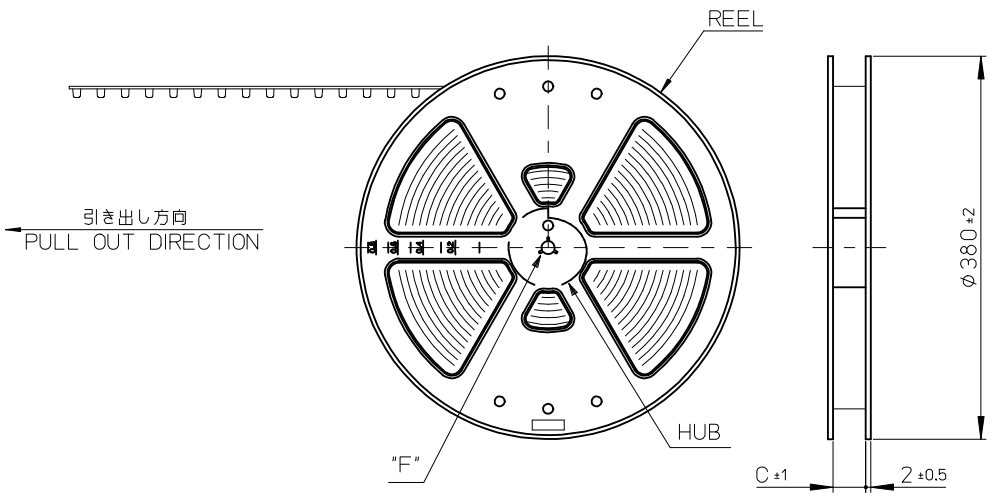
コネクタ接点部

適合FFC推奨寸法  
APPLICABLE FFC  
RECOMENDED DIMENSION  
(仕上がり厚さ: コネクタ接点部 0.3±0.03)



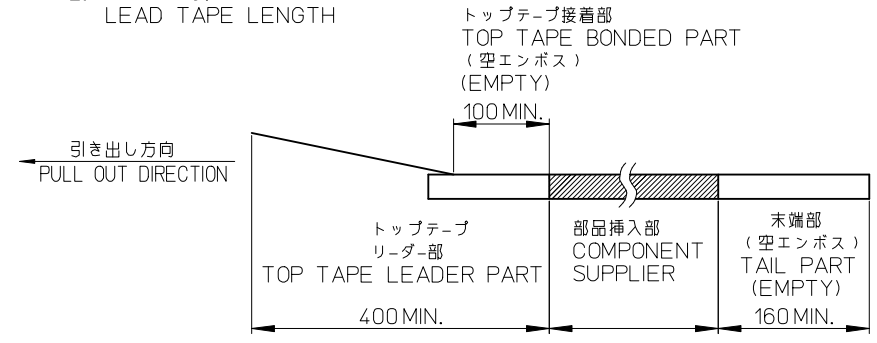
嵌合断面図

SEE SHEET 1 OF 2 EC NO.: J2013-0731 DRAWN: DRWN:KINAGUNO 2012/08/02 CHECKED: CHKD:KTAKAHASHI 2012/08/03 APPROVED: APPR:KYORIKAWA 2013/01/07	GENERAL TOLERANCES (UNLESS SPECIFIED)		DIMENSION STYLE MM ONLY	SCALE -4:1-	DESIGN UNITS METRIC	THIRD ANGLE PROJECTION
	10 UNDER	±0.2	DRAWN BY H. IJIMA	DATE 06/01/13	TITLE 0.5 FFC TO BOARD CONN REC HSG ASSY(ST)	
	10 OVER 30 UNDER	±0.25	CHECKED BY K. TAKAHASHI	DATE 06/01/13		
	30 OVER	±0.3	APPROVED BY H. HIRATA	DATE 06/01/13		
ANGULAR	±1 °	MATERIAL NO. 501786-**21		DOCUMENT NO. SD-501786-004	SHEET NO. 2 OF 2	
DRAFT WHERE APPLICABLE MUST REMAIN WITHIN DIMENSIONS		SIZE A3	THIS DRAWING CONTAINS INFORMATION THAT IS PROPRIETARY TO MOLEX INCORPORATED AND SHOULD NOT BE USED WITHOUT WRITTEN PERMISSION			

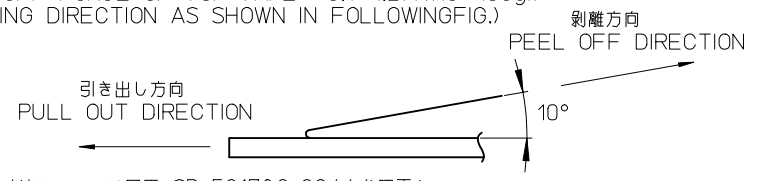


**NOTES**

- 梱包数量：900 個ノリール  
NUMBER OF CONNECTORS:900 PCS/REEL
- リードテープ長さ  
LEAD TAPE LENGTH



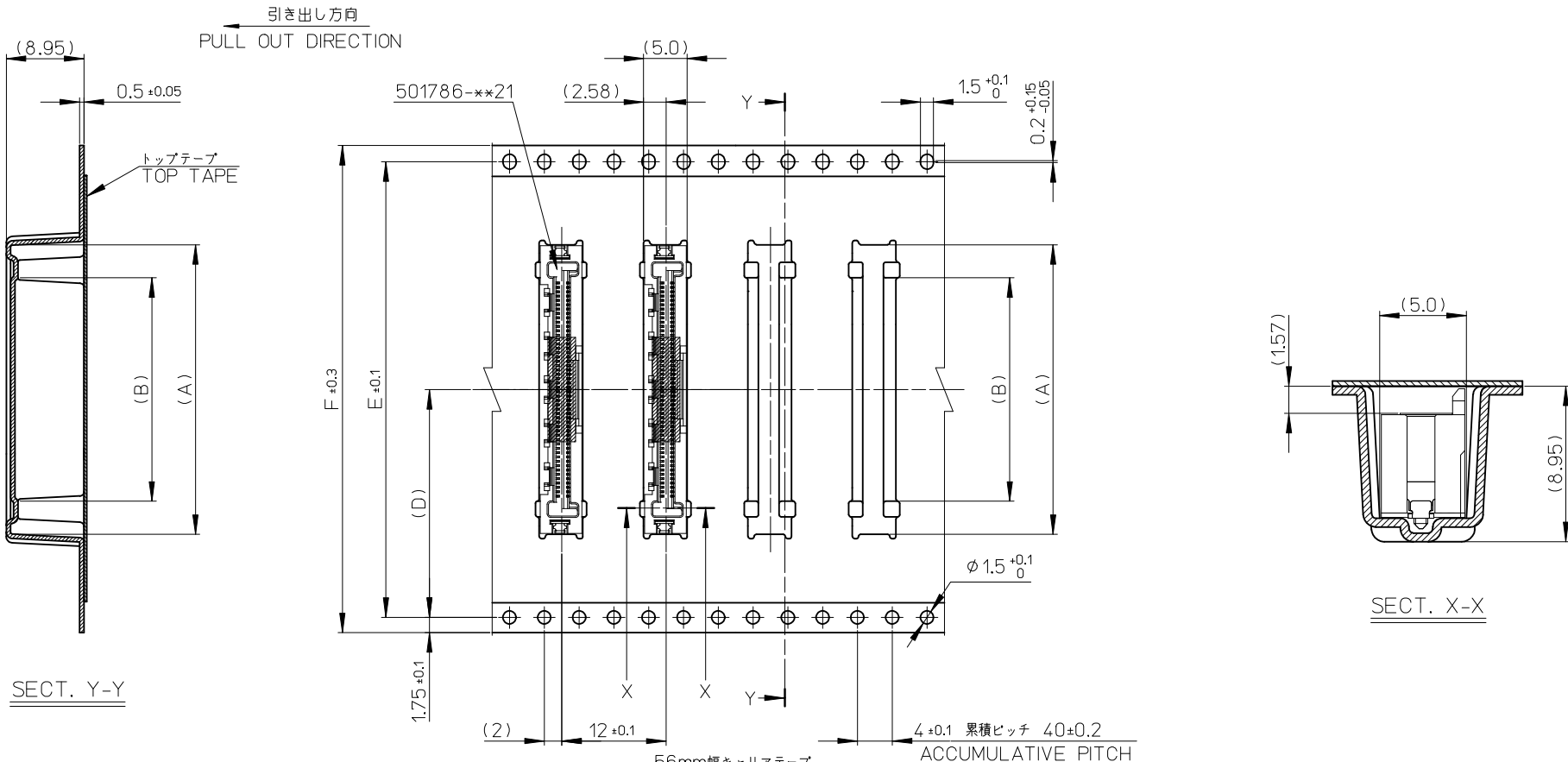
- トップテープの剥離強度：0.1~1.27N(10~130gf)  
(剥離方向は下図参照)  
剥離速度：300mm/MIN.(参考)  
PEEL-OFF FORCE OF TOP TAPE : 0.1~1.27N(10~130gf)  
(PEELING DIRECTION AS SHOWN IN FOLLOWINGFIG.)



- 製品詳細寸法については図面 SD-501786-004を参照下さい。  
RE DETAILED DIMENSION, SEE SD-501786-004.
- 材料(MATERIAL)  
キャリアテープ(CARRIER TAPE)：ポリスチレン(POLYSTYRENE)  
トップテープ(TOP TAPE)：PET, PE, PE  
リール(REEL)：ポリスチレン(POLYSTYRENE)<リサイクル材を含む>  
<RECYCLE MATERILAL CONTAINED>

501786-\*\*80 MODEL NO.

REVISED EC NO: J2013-0731 DRWN:KNAGUMO 2012/08/02 CHKD:KAKAHASHI 2012/08/03 APPR:KMORIKAWA 2013/01/07	DESCRIPTION GENERAL TOLERANCES (UNLESS SPECIFIED)	10 UNDER ±0.2	DIMENSION STYLE MM ONLY	SCALE ---	DESIGN UNITS METRIC	THIRD ANGLE PROJECTION	
		10 OVER 30 UNDER ±0.25	DRAWN BY H. IJIMA	DATE 06/01/17	TITLE EMBSTP PKG FOR 0.5 FFC TO BOARD ST TYPE		
		30 OVER ±0.3	CHECKED BY K. TAKAHASHI	DATE 06/01/17	molex		
		ANGULAR ±3 °	APPROVED BY H. HIRATA	DATE 06/01/17	MATERIAL NO. 501786-**80	DOCUMENT NO. SD-501786-005	SHEET NO. 1 OF 2
A	DRAFT WHERE APPLICABLE MUST REMAIN WITHIN DIMENSIONS	SIZE A3	THIS DRAWING CONTAINS INFORMATION THAT IS PROPRIETARY TO MOLEX INCORPORATED AND SHOULD NOT BE USED WITHOUT WRITTEN PERMISSION				



56	56.0	52.4	26.2	57.4	25.68	33.3	501786-5080	50
44	44.0	40.4	20.2	45.4	20.68	28.3	501786-4080	40
					15.68	23.3	501786-3080	30
キャリアテープ幅 CARRIER TAPE WIDTH	F	E	D	C	B	A	製品番号 MATERIAL NO.	極数 CKT

SEE SHEET 1 OF 2 EC NO: J2013-0731 DRWN:KNAGUMO 2012/08/02 CHKD:K.TAKAHASHI 2012/08/03 APPR:KMORIKAWA 2013/01/07	GENERAL TOLERANCES (UNLESS SPECIFIED)	DIMENSION STYLE MM ONLY	SCALE ---	DESIGN UNITS METRIC	THIRD ANGLE PROJECTION
	10 UNDER ±0.2	DRAWN BY H. IJIMA	DATE 06/01/17	TITLE EMBSTP PKG FOR 0.5 FFC TO BOARD ST TYPE	
	10 OVER 30 UNDER ±0.25	CHECKED BY K. TAKAHASHI	DATE 06/01/17		
	30 OVER ±0.3	APPROVED BY H. HIRATA	DATE 06/01/17		
ANGULAR ±3 °	DRAFT WHERE APPLICABLE MUST REMAIN WITHIN DIMENSIONS		MATERIAL NO. 501786-**80	DOCUMENT NO. SD-501786-005	SHEET NO. 2 OF 2
A	THIS DRAWING CONTAINS INFORMATION THAT IS PROPRIETARY TO MOLEX INCORPORATED AND SHOULD NOT BE USED WITHOUT WRITTEN PERMISSION				