

NOTES: UNLESS OTHERWISE SPECIFIED

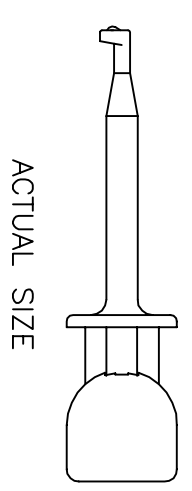
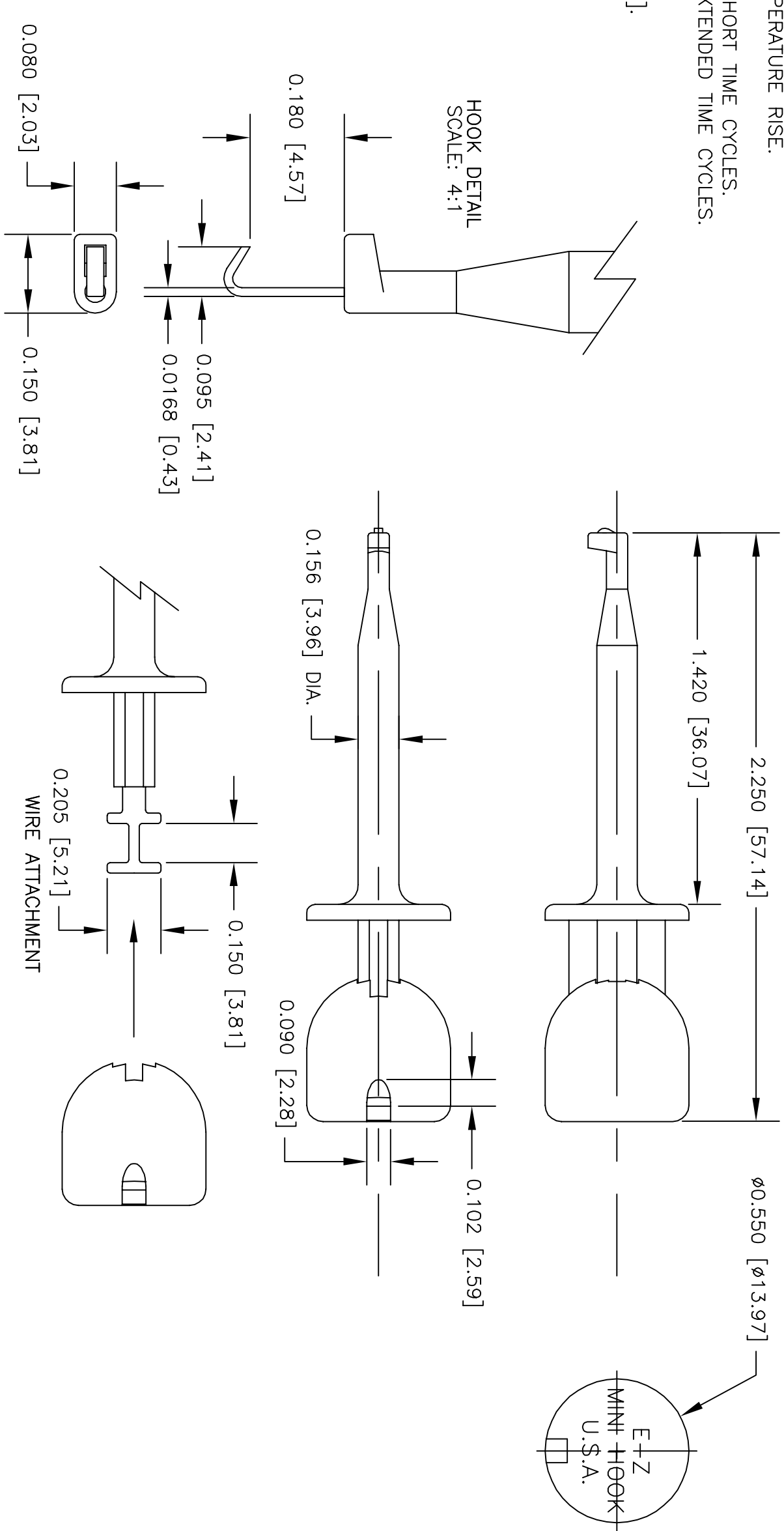
1. CONSTRUCTION: HOUSING & PLUNGER: MOLDED MINLON 11C40 TYPE 6,6. AVAILABLE IN TEN COLORS.

CONTACT BLADE: BERYLLIUM COPPER PER QQ-C-533. GOLD PLATED PER MIL-G-45204 B TYPE 1 0.00001 [0.000254] THICK MINIMUM.
 SPRING: STAINLESS STEEL TYPE 302.

2. PERFORMANCE:
 MAXIMUM CURRENT: 5.9 AMPS WITH A 77° TEMPERATURE RISE.
 MAXIMUM VOLTAGE: 5.4 KV
 MAXIMUM TEMPERATURE: 300°F (150°C) OVER SHORT TIME CYCLES.
 250°F (122°C) OVER EXTENDED TIME CYCLES.

3. FEATURES:
 HOOK FITS COMPONENTS UP TO $\phi 0.040$ [$\phi 1.01$].
 FIELD SERVICEABLE.

REVISIONS		DATE	APPROVED
LTR			



UNLESS OTHERWISE SPECIFIED DIMENSIONS ARE IN INCHES FRACTIONS DECIMALS ANGLES		CONTRACT NO.		DESCRIPTION	
±	.XX ±	±	APPROVALS	DATE	EZ-HOOK DIVISION OF TEKTEST INC. ARCADIA, CA 91006 U.S.A.
±	.XXX ±	±	DRAWN	6/09	
MATERIAL SEE NOTE.		APPROVED BY			
FINISH SEE NOTE.		DO NOT SCALE DRAWING		SIZE	CODE IDENT NO.
NEXT ASSY		USED ON		B	08505
APPLICATION				X1	00WX
				SCALE	2:1
				SHEET	1 OF 1

THE INFORMATION CONTAINED IN THIS DOCUMENT IS PROPRIETARY TO E-Z-HOOK. THE INFORMATION IS NOT TO BE REPRODUCED WITHOUT PRIOR WRITTEN PERMISSION OF E-Z-HOOK, DIV. OF TEKTEST INC. MAXIMUM TESTED RATINGS IN A HANDS-FREE CONTROLLED ENVIRONMENT. MAXIMUM RATINGS ARE NOT TO BE USED CONCURRENTLY.