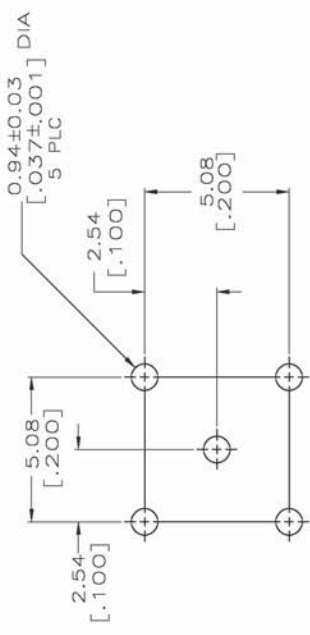
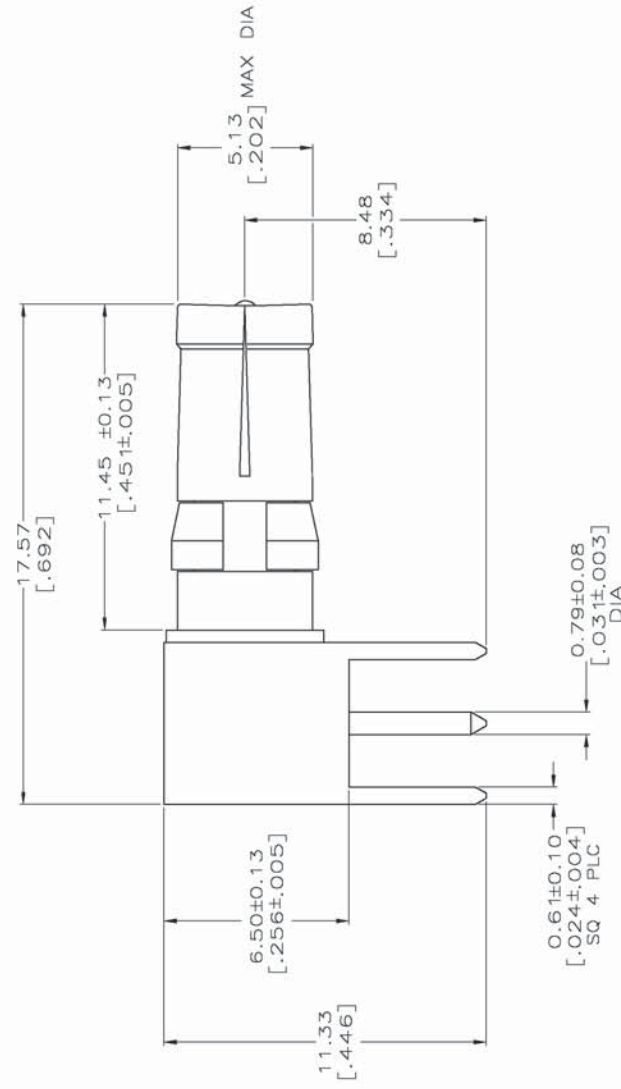


LOC	QTY	REV	DESCRIPTION	DATE	BY	APP
AJ	16	G	REV PER DS14-02552-04	12-02-04	JDP	CM

- 1 BRASS PER QQ-B-626.
 - 2 PTFE PER MIL-P-19468.
 - 3 PHOSPHOR BRONZE PER QQ-B-750.
 - 4 BERYLLIUM COPPER PER QQ-C-530.
 - 5 TIN PLATE PER ASTM-B-545.
 - 6 COPPER PLATE PER MIL-C-14550.
 - 7 NICKEL PLATE PER QQ-N-290.
 - 8 GOLD PLATE PER MIL-G-45204.
9. DIELECTRIC AND CONTACT ASSEMBLY WILL WITHSTAND 2.5 LB PUSHOUT FORCE DIRECTED FROM MATING END.



PCB CONFIGURATION

OBSOLETE	221162-2
	221162-1
	PART NUMBER

THIS DRAWING IS A CONTROLLED DOCUMENT.		REV	H. B. JOHNSON	08-20-91
DIMENSIONS:		CHK	WERNER	08-29-91
INCHES		APP	D. DOTE	09-03-91
DISCREPANCY:		PRODUCT SPEC		
APPLICABLE:		APPLICATION SPEC		
WEIGHT				
MATERIAL		SIZE	A2	00779
FINISH		SCALE	1:1	
CUSTOMER DRAWING		SHEET	1	OF 1

221162	221162-2
Tyco Electronics Corporation Harrisburg, Pa 17105-3608	
SOCKET/PCB/RIGHT ANGLE SIZE B, HDI	
RESTRICTED TO	