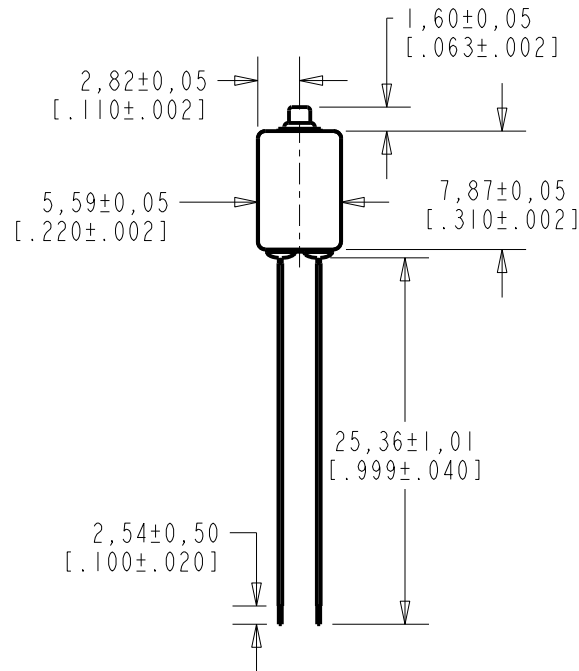


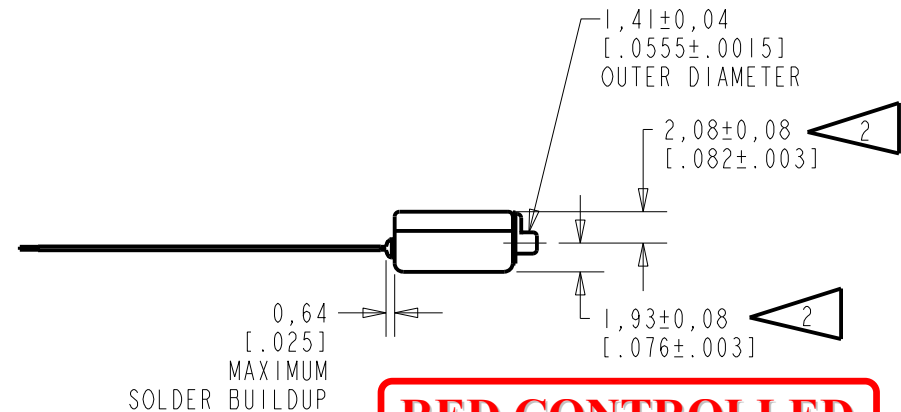
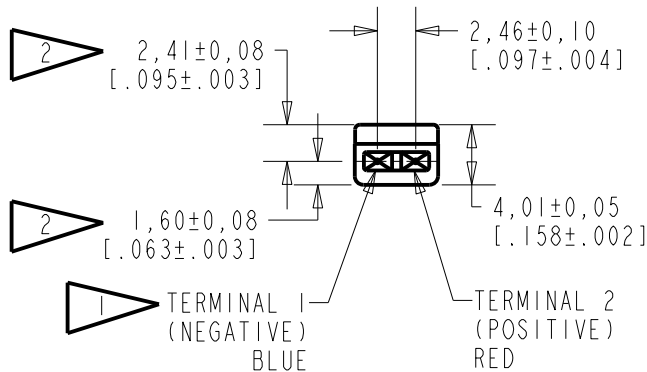
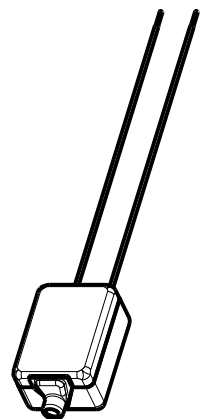
FEF-27351-PI6

SHT 1.1



NOTES:

- 1 A POSITIVE GOING VOLTAGE AT TERMINAL 2, RELATIVE TO TERMINAL 1, CAUSES AN DECREASE IN PRESSURE AT THE SOUND OUTLET.
- 2 LOCATED FROM TWO SURFACES FOR CUSTOMER CONVENIENCE, ONLY APPLICABLE FROM ONE SURFACE, NOT TO BE USED TOGETHER. HORIZONTAL LOCATION FOR TERMINAL CENTERED TO  $\pm 0,17$  [.007].



**RED CONTROLLED**

NOMINAL WEIGHT  
.71 GRAM

DIMENSIONS IN MILLIMETERS [INCHES]

Revision	C.O. #	Implementation Date	RELEASE LEVEL	REVISION
A	C40101124	10-8-12	Active	A

SCALE:	2:1	DR. BY	DATE
DO NOT SCALE DRAWING		LW	10-8-12
TITLE:	RECEIVER	CK. BY	DATE
	OUTLINE DRAWING	GJP	10-11-12
		APP. BY	DATE
		GJP	10-11-12

**KNOWLES ELECTRONICS**  
ITASCA, ILLINOIS U.S.A.

FEF-27351-PI6

SHT 1.1

NOTES:

1. UNITS ARE TESTED AS INDIVIDUAL RECEIVERS. FOR THESE SPECIFICATIONS SEE FEF-23751-104, SHEET 2.1.

**RED CONTROLLED**

Revision	C.O. #	Implementation Date	RELEASE LEVEL	REVISION
			<b>Active</b>	<b>A</b>
A	C40101124	10-8-12		

WHEN TEST LIMITS ARE USED TO ESTABLISH INCOMING INSPECTION ACCEPTANCE/REJECTION CRITERIA, CORRELATION OF TEST EQUIPMENT WITH KNOWLES IS ALSO REQUIRED FOR ELIMINATION OF EQUIPMENT AND TEST METHOD VARIATION		DR. BY LW	DATE 10-8-12
TITLE: <b>RECEIVER</b> PERFORMANCE SPECIFICATION		APP. BY GJP	DATE 10-11-12
		APP. BY GJP	DATE 10-11-12

**KNOWLES ELECTRONICS**  
ITASCA, ILLINOIS U.S.A.

**FEF-27351-P16**  
**SHT 2.1**

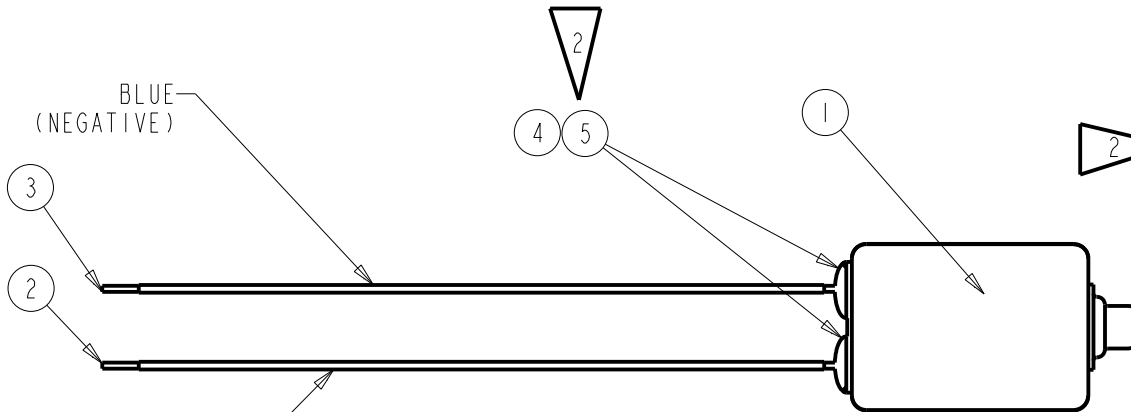
PROPRIETARY NOTE: THIS DOCUMENT CONTAINS INFORMATION WHICH IS THE PROPRIETARY PROPERTY OF KNOWLES ELECTRONICS, LLC. OR ITS AFFILIATED ENTITIES. IT IS ISSUED IN STRICT CONFIDENCE AND SHALL NOT BE REPRODUCED, COPIED, USED, OR DISCLOSED TO ANY THIRD PARTY PARTIALLY OR WHOLLY IN ANY MANNER WITHOUT PRIOR WRITTEN PERMISSION OF, AND MUST BE RETURNED UPON REQUEST BY, KNOWLES ELECTRONICS, LLC.

FEF-27351-P16

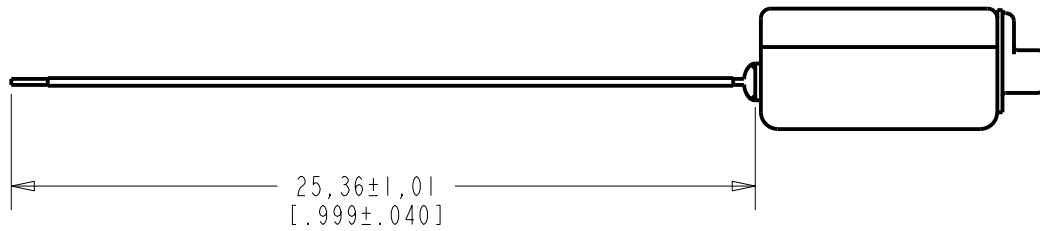
NOTES:

1. ITEM NUMBERS (SHOWN THUS ) ON DRAWING CORRESPOND WITH ITEM NUMBERS ON BILL OF MATERIAL.

 COVER SOLDER COMPLETELY WITH CEMENT, ITEM 5.



RED (POSITIVE)



25,36 ± 1,01  
[0,999 ± 0,040]

DIMENSIONS IN MILLIMETERS [INCHES]

RELEASE LEVEL	REVISION
Active	A

MATERIAL SEE BILL OF MATERIAL

FINISH ---

SCALE: 4:1

DO NOT SCALE DRAWING

REF. A

c.o. C40101124

**RED CONTROLLED**

UNLESS OTHERWISE SPECIFIED, DIMENSIONS ARE IN INCHES.

THIRD ANGLE PROJECTION



**KNOWLES ELECTRONICS**  
**ITASCA, ILLINOIS U.S.A.**

TITLE

**RECEIVER ASSEMBLY**

**FEF-27351-P16**

SHEET 3.1

<b>FEF-27351-P16</b>		<b>KNOWLES ELECTRONICS</b>		<b>FEF-27351-P16</b>	
Sheet <b>4.1</b>		ITASCA, ILLINOIS U.S.A.		Sheet <b>4.1</b>	
Dr.	By LW	Date 10-8-12	Subject: <b>RECEIVER ASSEMBLY</b>	Revision <b>A</b>	
Ch.	GJP	10-11-12			Release Level
App.	GJP	10-11-12			<b>Active</b>
COL. 1	2	3	4	Item No.	Line No.
Part or Dwg. no.	Tot. Req.	Nomenclature:	Applicable Specs or Remarks		
FEF-27351-104	1	RECEIVER ASSEMBLY		1	1
FG-035-2	A/R	WIRE		2	2
FG-035-4	A/R	WIRE		3	3
285-007-001	A/R	SOLDER LEAD FREE		4	4
021-0425	A/R	GREEN PROTECTIVE LACQUAR		5	5



REVISION  
A c.o. C40101124

RED CONTROLLED

**FEF-27351-P16**  
Sheet **4.1**

PROPRIETARY NOTE: THIS DOCUMENT CONTAINS INFORMATION WHICH IS THE PROPRIETARY PROPERTY OF KNOWLES ELECTRONICS, LLC. OR ITS AFFILIATED ENTITIES. IT IS ISSUED IN STRICT CONFIDENCE AND SHALL NOT BE REPRODUCED, COPIED, USED, OR DISCLOSED TO ANY THIRD PARTY PARTIALLY OR WHOLLY IN ANY MANNER WITHOUT PRIOR WRITTEN PERMISSION OF, AND MUST BE RETURNED UPON REQUEST BY, KNOWLES ELECTRONICS, LLC.

REF: 300-PART-80-PMW REF: 0

PRODUCTION TEST INFORMATION

SEE FEF-27351-104 SHEET 5.1 FOR TEST REQUIREMENTS.

**RED CONTROLLED**

Revision	C.O. #	Implementation Date	RELEASE LEVEL	REVISION
			<b>Active</b>	<b>A</b>
A	C40101124	10-8-12		

<b>KNOWLES ELECTRONICS</b> ITASCA, ILLINOIS U.S.A.	WHEN TEST LIMITS ARE USED TO ESTABLISH INCOMING INSPECTION ACCEPTANCE/REJECTION CRITERIA, CORRELATION OF TEST EQUIPMENT WITH KNOWLES IS ALSO REQUIRED FOR ELIMINATION OF EQUIPMENT AND TEST METHOD VARIATION		DR. BY	DATE
	TITLE: <b>RECEIVER</b> PERFORMANCE SPECIFICATION		LW	10-8-12
			CK. BY	DATE
	FEF-27351-P16 SHT 5.1		GJP	10-11-12
		APP. BY	DATE	
		GJP	10-11-12	