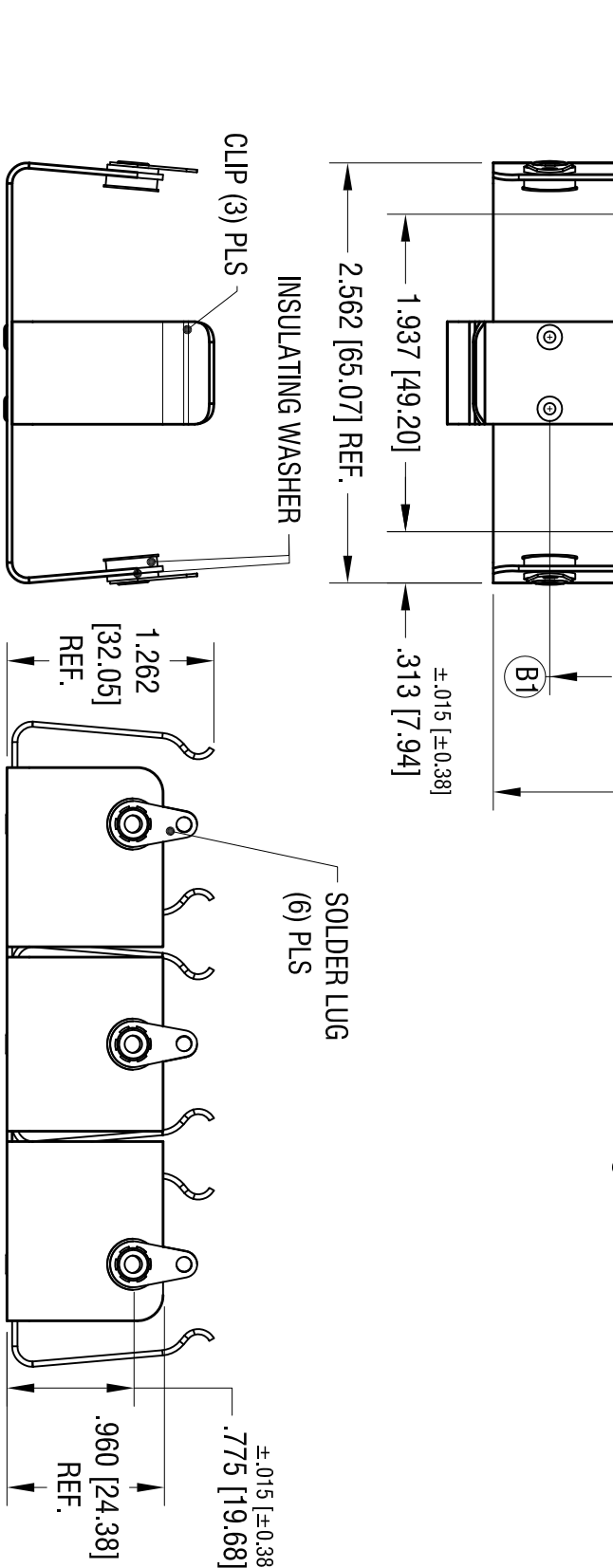
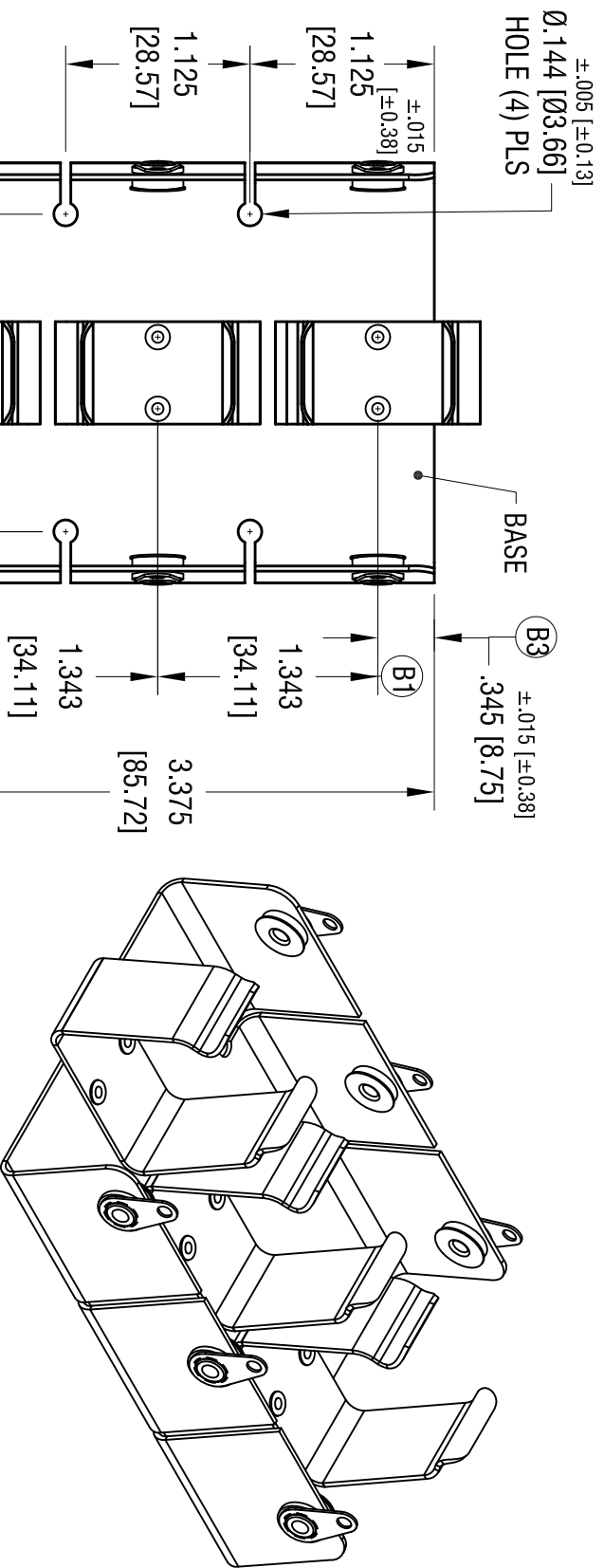


DATE	DESCRIPTION	REV.
7.19.04	ECN 04-050 REDRAWN IN CAD	A
5.11.16	CHANGE AS PER ECN 16-055 (B1) WAS 1.350, (B2) WAS 337±.015	B



NOTE:
 1. BASE: MAT'L-.032 [0.81] THK ALUMINUM
 2. CLIP: MAT'L-.032 [0.81] THK ALUMINUM
 3. SOLDER LUG: MAT'L- BRASS
 FINISH: TIN PLATE

KEYSTONE ELECTRONICS CORP.			
www.keyelco.com • ASTORIA, N.Y. 11105-2017 • Tel (718) 956-8900			
PART NAME BATTERY HOLDER, (3) 'D' CELLS			
MATERIAL AS NOTED			
FINISH AS NOTED			
TOLERANCES	INCH	[MM]	CODE
DECIMAL	± .010	[± 0.25]	C
ANGULAR	± 1°		
		DWG NO.	190
DRN BY	BOONE	DATE	12.28.81
APP'D	LN	SCALE	.9X

THIS DOCUMENT IS THE PROPERTY OF
 KEYSTONE ELECTRONICS CORP. AND
 SHALL NOT BE REPRODUCED, DISTRIBUTED
 OR USED AS A BASIS FOR MANUFACTURE
 WITHOUT PRIOR WRITTEN PERMISSION
 FROM KEYSTONE ELECTRONICS CORP.