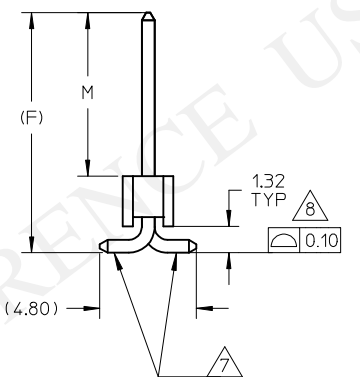
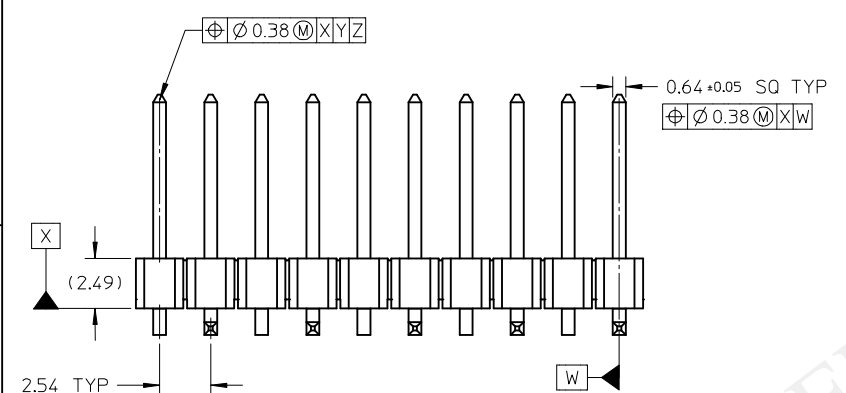
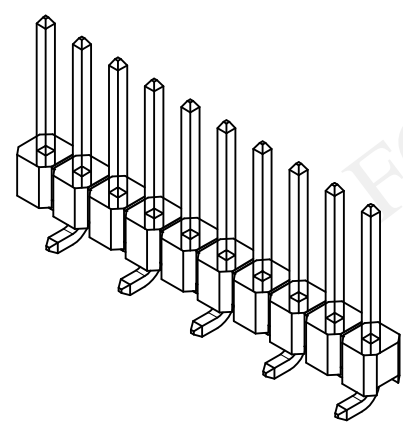


**RECOMMENDED PCB LAYOUT
(CKT 6 IS FOR ILLUSTRATION PURPOSE ONLY)**



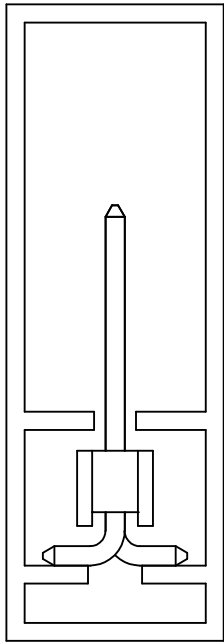
NOTES:

1. MATERIAL:
HSG: NYLON, GLASS-FILLED, UL94V-0, COLOR: BLACK
PIN: 0.64MM SQ, COPPER ALLOY
2. PLATING TYPE:
(1) GOLD FLASH OVER
1.25µm MIN. NICKEL OVERALL.
(2) GOLD FLASH ON CONTACT AND
2.50µm MIN. TIN ON SOLDER TAIL OVER
1.25µm MIN. NICKEL OVERALL.
(4) 0.38µm MIN. GOLD PLATE ON CONTACT AND
2.00µm MIN. TIN ON SOLDER TAIL OVER
1.25µm MIN. NICKEL OVERALL.
(5) 0.75µm MIN. GOLD PLATE ON CONTACT AND
2.00µm MIN. TIN ON SOLDER TAIL OVER
1.25µm MIN. NICKEL OVERALL.
(6) 2.50µm MIN. TIN OVERALL
1.25µm MIN. NICKEL OVERALL
3. PRODUCT SPECIFICATION: PS-87920-019
4. PACKAGING TYPE: SEE TABLE
5. PACKAGING SPEC: PK-89990-545(TUBE)
6. WAFER TO BE FLAT WITHIN 0.003 mm/mm
7. BEND DEPRESSION IS ACCEPTED SO LONG AS IT DOES NOT AFFECT THE OVERALL COPLANARITY OF TAIL
8. COPLANARITY IS TO BE MEASURED BY RESTING THE SOLDER TAIL ON A FLAT SURFACE
9. IRREGULAR CIRCUIT CUTOFF WITHIN BREAKAWAY SECTION IS PERMISSIBLE. CUTTING OR CHIPPING OF THE MAIN BODY IS NOT ACCEPTABLE
10. TUBE LENGTH AS PER STANDARD 560mm
11. RECOMMENDED PCB THICKNESS IS 1.60mm±0.10



NEW DOC. CREATED FOR 87898-1067 EC NO: S2016-0719 DRW: MRAMAKRISHNA 2016/02/11 CHKD: APPR: MRAMAKRISHNA 2016/03/18	DESCRIPTION REV	QUALITY SYMBOLS $F_{\Delta} = 0$ $F_{\Delta} = 0$ $F_{\Delta} = 0$		GENERAL TOLERANCES (UNLESS SPECIFIED)		DIMENSION STYLE MM ONLY		SCALE NTS		DESIGN UNITS METRIC		THIRD ANGLE PROJECTION	
		$F_{\Delta} = 0$ 4 PLACES ± --- ± --- $F_{\Delta} = 0$ 3 PLACES ± --- ± --- $F_{\Delta} = 0$ 2 PLACES ± 0.2 ± --- 1 PLACE ± --- ± --- 0 PLACE ± ±		mm INCH ± --- ± --- ± 0.2 ± --- ± --- ± --- ± ±		DRAWN BY DATE MRAMAKRISHNA 2016/02/11 CHECKED BY DATE		TITLE CUSTOM HEADER 2.54MM PITCH SINGLE ROW SINGLE WAFER SMT HEADER					
		ANGULAR ± 3 ° DRAFT WHERE APPLICABLE MUST REMAIN WITHIN DIMENSIONS		APPROVED BY DATE MRAMAKRISHNA 2016/03/18 MATERIAL NO.		SEE TABLE		DOCUMENT NO. RSD-87898-1067		SHEET NO. 1 OF 2			
				SIZE A3		THIS DRAWING CONTAINS INFORMATION THAT IS PROPRIETARY TO MOLEX INCORPORATED AND SHOULD NOT BE USED WITHOUT WRITTEN PERMISSION							

PART WITHOUT CAP IN TUBE ORIENTATION



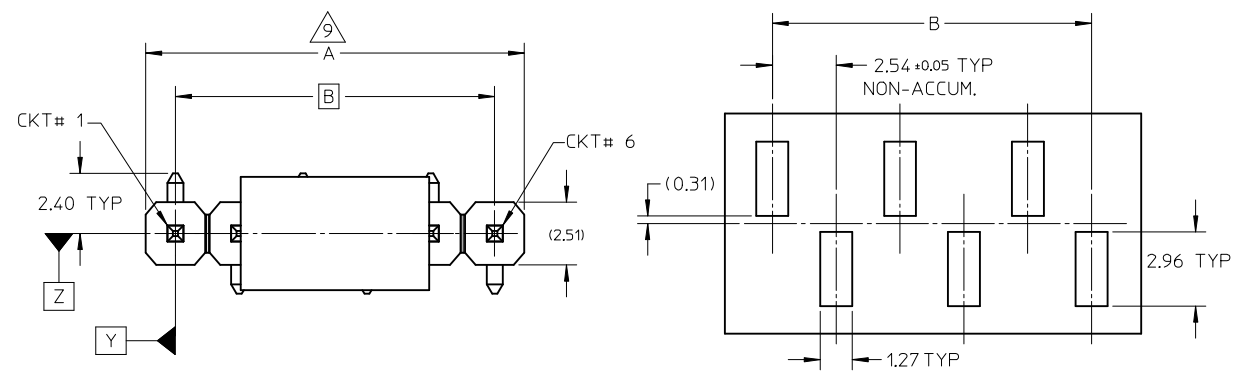
PACKAGING OPTION PART NO.	CKT SIZE	VOID POSITION	PLATING TYPE	DIMENSION			
				A	B	F	M
87898-1067	10	-----	6	25.40	22.86	11.94	8.13

FOR REFERENCE USE ONLY

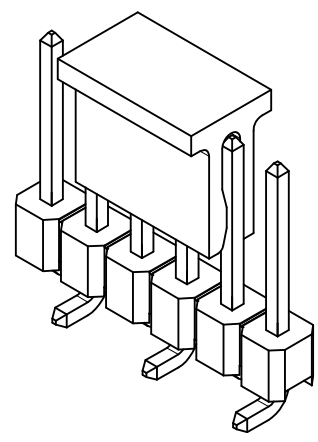
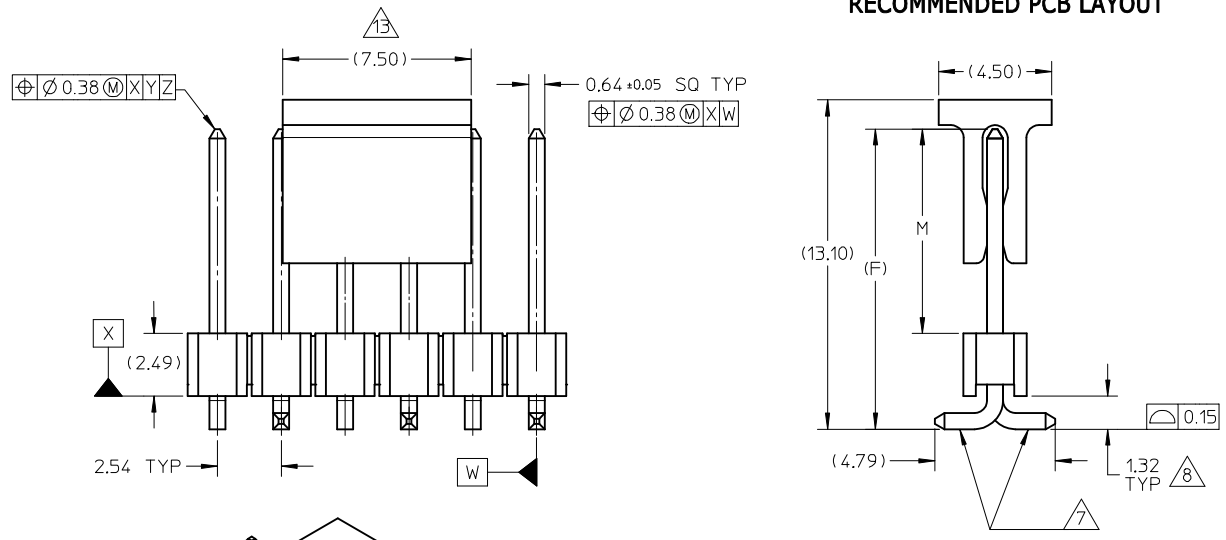
NEW DOC. CREATED FOR 87898-1067 EC NO: S2016-0719 DRWN: MRAMAKRISHNA 2016/02/11 CHKD: APPR: MRAMAKRISHNA 2016/03/18	DESCRIPTION REV	QUALITY SYMBOLS	GENERAL TOLERANCES (UNLESS SPECIFIED)	DIMENSION STYLE	SCALE	DESIGN UNITS	THIRD ANGLE PROJECTION	
		$\nabla_{\text{A}}=0$	mm INCH	MM ONLY	NTS	METRIC		
		$\nabla_{\text{C}}=0$	4 PLACES ± --- ± ---	DRAWN BY DATE	CUSTOM HEADER 2.54MM PITCH SINGLE ROW SINGLE WAFER SMT HEADER molex			
		$\nabla_{\text{F}}=0$	3 PLACES ± --- ± ---	MRAMAKRISHNA 2016/02/11				
	2 PLACES ± 0.2 ± ---	CHECKED BY DATE	TITLE RSD-87898-1067 SHEET NO. 2 OF 2					
	1 PLACE ± --- ± ---	APPROVED BY DATE	MATERIAL NO. DOCUMENT NO.					
	0 PLACE ± ±	MRAMAKRISHNA 2016/03/18	SEE TABLE					
	ANGULAR ± 3 °		THIS DRAWING CONTAINS INFORMATION THAT IS PROPRIETARY TO MOLEX INCORPORATED AND SHOULD NOT BE USED WITHOUT WRITTEN PERMISSION					
	DRAFT WHERE APPLICABLE MUST REMAIN WITHIN DIMENSIONS							

NOTES:

- MATERIAL:
HSG: NYLON, GLASS-FILLED, UL94V-0, COLOR: BLACK
PIN: 0.64MM SQ. COPPER ALLOY
- PLATING TYPE:
(1) GOLD FLASH OVER
1.25µm MIN. NICKEL OVERALL.
(2) GOLD FLASH ON CONTACT AND
2.50µm MIN. TIN ON SOLDER TAIL OVER
1.25µm MIN. NICKEL OVERALL.
(4) 0.38µm MIN. GOLD PLATE ON CONTACT AND
2.00µm MIN. TIN ON SOLDER TAIL OVER
1.25µm MIN. NICKEL OVERALL.
(5) 0.75µm MIN. GOLD PLATE ON CONTACT AND
2.00µm MIN. TIN ON SOLDER TAIL OVER
1.25µm MIN. NICKEL OVERALL.
(6) 2.50µm MIN. TIN OVERALL
1.25µm MIN. NICKEL OVERALL
- PRODUCT SPECIFICATION: PS-87920-019
- PACKAGING TYPE: SEE TABLE
- PACKAGING SPEC: PK-89990-545(TUBE), PK-89990-486(T&R)
& PK-87898-400 (T&R)
- WAFER TO BE FLAT WITHIN 0.003 mm/mm
- BEND DEPRESSION IS ACCEPTED SO LONG AS IT DOES NOT AFFECT THE OVERALL COPLANARITY OF TAIL
- COPLANARITY IS TO BE MEASURED BY RESTING THE SOLDER TAIL ON A FLAT SURFACE
- IRREGULAR CIRCUIT CUTOFF WITHIN BREAKAWAY SECTION IS PERMISSIBLE. CUTTING OR CHIPPING OF THE MAIN BODY IS NOT ACCEPTABLE
- TUBE LENGTH AS PER STANDARD 560mm
- RECOMMENDED PCB THICKNESS IS 1.60mm±0.10
- THE ABOVE CKT 6 IS FOR ILLUSTRATION PURPOSE ONLY
- CAP LOCATION IS CENTERED ALONG THE MATING ENDS AS SHOWN. TOP SURFACE OF CAP TO BE FLAT FOR THE PURPOSE OF PICK & PLACE BY VACUUM SUCTION NOZZLE.

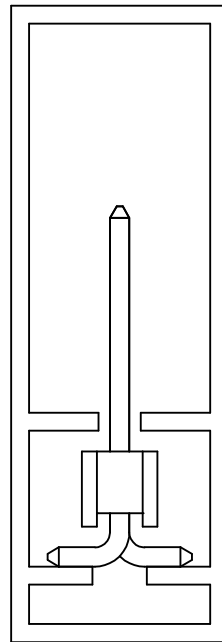


RECOMMENDED PCB LAYOUT

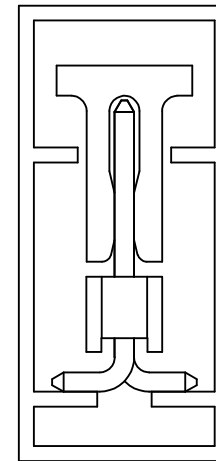


PK-87898-400 ADDED IN NOTE 5 FOR T & R EC NO: S2016-0620 DRW: MRAMAKRI SHINA 2016/01/06 CHKD: MRAMAKRI SHINA 2016/01/06 APPR: SHMARG 2016/01/11 B7	QUALITY SYMBOLS $F_{\Delta} = 0$ $F_{\Delta} = 0$ $F_{\Delta} = 0$	GENERAL TOLERANCES (UNLESS SPECIFIED) <table border="1"> <thead> <tr> <th></th> <th>mm</th> <th>INCH</th> </tr> </thead> <tbody> <tr> <td>4 PLACES</td> <td>± ---</td> <td>± ---</td> </tr> <tr> <td>3 PLACES</td> <td>± ---</td> <td>± ---</td> </tr> <tr> <td>2 PLACES</td> <td>± 0.2</td> <td>± ---</td> </tr> <tr> <td>1 PLACE</td> <td>± ---</td> <td>± ---</td> </tr> <tr> <td>0 PLACE</td> <td>±</td> <td>±</td> </tr> </tbody> </table> ANGULAR ± 3 ° DRAFT WHERE APPLICABLE MUST REMAIN WITHIN DIMENSIONS		mm	INCH	4 PLACES	± ---	± ---	3 PLACES	± ---	± ---	2 PLACES	± 0.2	± ---	1 PLACE	± ---	± ---	0 PLACE	±	±	DIMENSION STYLE MM ONLY DRAWN BY: SKLIM01 CHECKED BY: NAGESHKN APPROVED BY: PTLIM DATE: 2005/10/26 DATE: 2005/10/30 DATE: 2005/11/07	SCALE NTS DESIGN UNITS METRIC THIRD ANGLE PROJECTION	TITLE CUSTOM HEADER 2.54MM PITCH SINGLE ROW SINGLE WAFER SMT HEADER molex	MATERIAL NO. SEE TABLE SIZE A3	DOCUMENT NO. SD-87898-003 THIS DRAWING CONTAINS INFORMATION THAT IS PROPRIETARY TO MOLEX INCORPORATED AND SHOULD NOT BE USED WITHOUT WRITTEN PERMISSION	SHEET NO. 1 OF 17
		mm	INCH																							
	4 PLACES	± ---	± ---																							
	3 PLACES	± ---	± ---																							
2 PLACES	± 0.2	± ---																								
1 PLACE	± ---	± ---																								
0 PLACE	±	±																								

PART WITHOUT CAP IN TUBE ORIENTATION

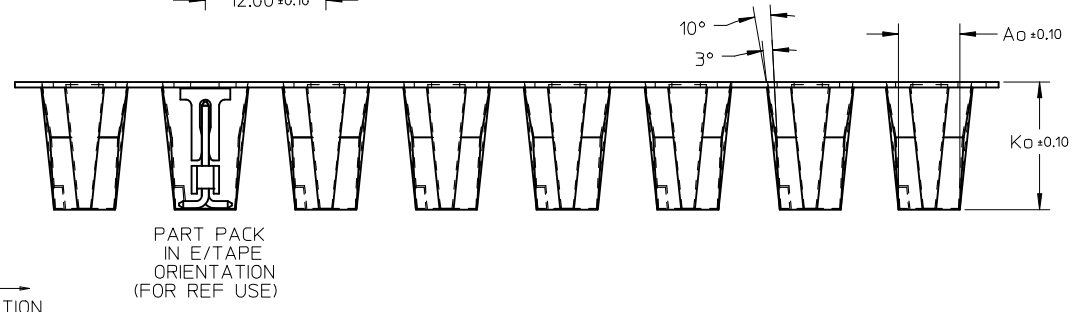
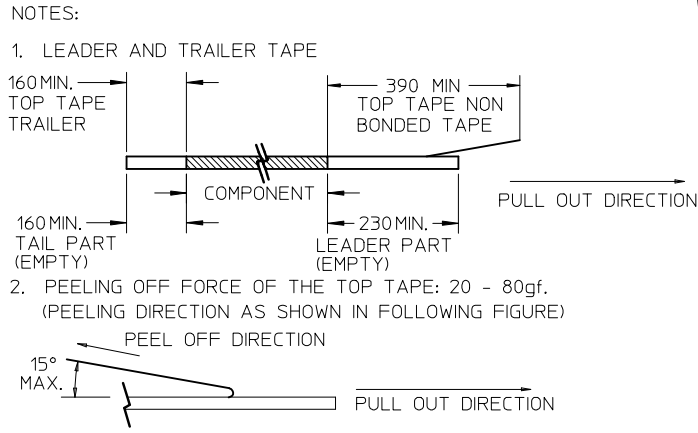
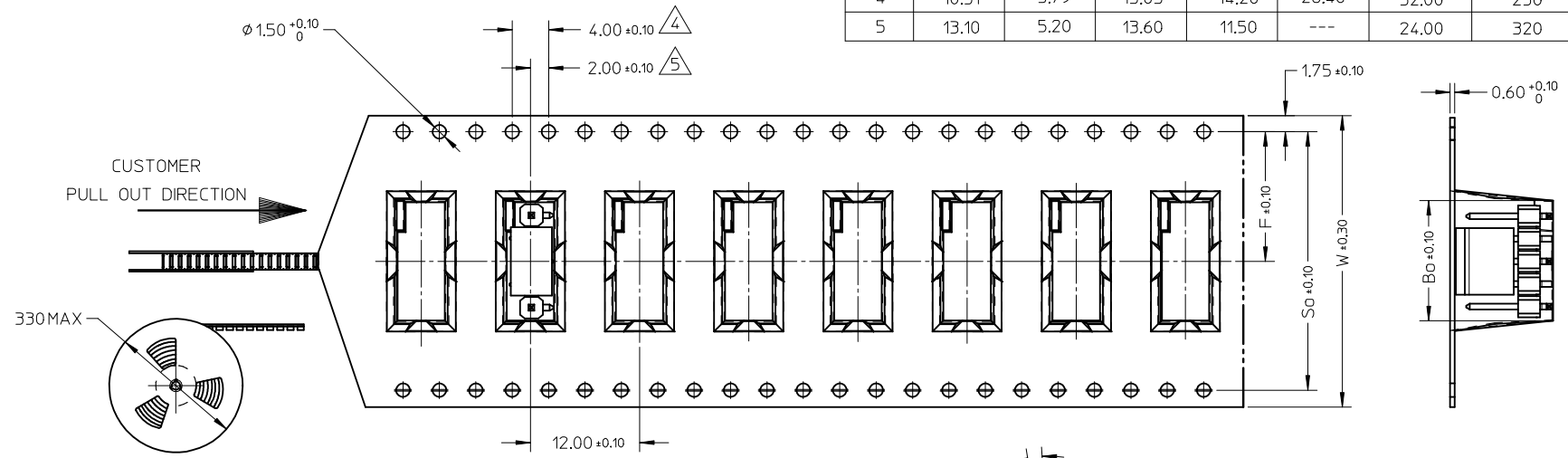


PART WITH CAP IN TUBE ORIENTATION



SEE SHEET 1 EC NO: S2016-0620 DRAWN: MRAMAKRI SHINA 2016/01/06 CHKD: MRAMAKRI SHINA 2016/01/06 APPR: ISHMARG 2016/01/11	QUALITY SYMBOLS	GENERAL TOLERANCES (UNLESS SPECIFIED)		DIMENSION STYLE MM ONLY		SCALE NTS	DESIGN UNITS METRIC	THIRD ANGLE PROJECTION	
	$\nabla_A = 0$	4 PLACES	mm	INCH	DRAWN BY SKLIM01	DATE 2005/10/26	TITLE CUSTOM HEADER 2.54MM PITCH SINGLE ROW SINGLE WAFER SMT HEADER molex DOCUMENT NO. SD-87898-003 SHEET NO. 2 OF 17		
	$\nabla_B = 0$	3 PLACES	± ---	± ---	CHECKED BY NAGESHKN	DATE 2005/10/30			
	$\nabla_C = 0$	2 PLACES	± 0.2	± ---	APPROVED BY PTLIM	DATE 2005/11/07			
$\nabla_D = 0$	1 PLACE	± ---	± ---	MATERIAL NO.					
		0 PLACE	±	±	ANGULAR ± 3 °		DRAFT WHERE APPLICABLE MUST REMAIN WITHIN DIMENSIONS		
B7	REV	SIZE A3		THIS DRAWING CONTAINS INFORMATION THAT IS PROPRIETARY TO MOLEX INCORPORATED AND SHOULD NOT BE USED WITHOUT WRITTEN PERMISSION					

CKT	DIMENSION						QTY/ REEL
	Bo	Ao	Ko	F	So	W	
3	8.02	5.20	13.60	11.50	---	24.00	320
4	10.51	5.79	15.05	14.20	28.40	32.00	250
5	13.10	5.20	13.60	11.50	---	24.00	320



- MATERIAL: BLACK P.S CONDUCTIVE, BLACK
- MEASURED FROM CENTRELINE OF SPROCKET HOLE TO CENTRELINE OF SPOCKET
- CUMULATIVE TOLERANCE OF 10 SPROCKET HOLE IS $\pm 0.20\text{mm}$
- A0 AND B0 ARE MEASURE FROM ABOVE POCKET BASE 0.30mm
- TAPE AND REEL SPECIFICATION IS AS PER EIA-481.
- THE TAPE IS TREATED FOR ANTI-STATIC.
- ALL RADIUS ARE 0.30MM UNLESS SPECIFY
- SURFACE RESISTIVITY 10^3 TO 10^8 OHMS.

SEE SHEET 1 EC NO: S2016-0620 DRAWN: NRAMAKRI SHINA 2016/01/06 CHKD: NRAMAKRI SHINA 2016/01/06 APPR: JSHARG 2016/01/11	QUALITY SYMBOLS	GENERAL TOLERANCES (UNLESS SPECIFIED)		DIMENSION STYLE MM ONLY		SCALE NTS	DESIGN UNITS METRIC	THIRD ANGLE PROJECTION	
	$\nabla F = 0$	4 PLACES	mm	INCH	DRAWN BY SKLIM01	DATE 2005/10/26	TITLE CUSTOM HEADER 2.54MM PITCH SINGLE ROW SINGLE WAFER SMT HEADER molex DOCUMENT NO. SD-87898-003 SHEET NO. 3 OF 17		
	$\nabla E = 0$	3 PLACES	\pm ---	\pm ---	CHECKED BY NAGESHKN	DATE 2005/10/30			
	$\nabla F = 0$	2 PLACES	± 0.2	\pm ---	APPROVED BY PTLIM	DATE 2005/11/07			
	1 PLACE	\pm ---	\pm ---	MATERIAL NO.	SEE TABLE				
	0 PLACE	\pm	\pm	ANGULAR $\pm 3^\circ$		THIS DRAWING CONTAINS INFORMATION THAT IS PROPRIETARY TO MOLEX INCORPORATED AND SHOULD NOT BE USED WITHOUT WRITTEN PERMISSION			
B7	REV	DRAFT WHERE APPLICABLE MUST REMAIN WITHIN DIMENSIONS							

PACKAGING OPTION PART NO.

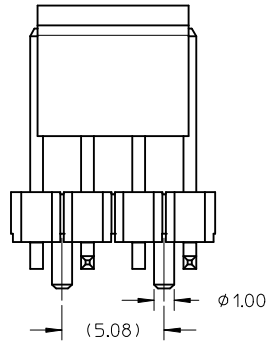
TRAY WITHOUT CAP	TRAY WITH CAP	TUBE WITHOUT CAP	TUBE WITH CAP	TAPE & REEL WITHOUT CAP	TAPE & REEL WITH CAP	CKT SIZE	VOID POSITION	PLATING TYPE	DIMENSION			
									A	B	F	M
87898-0361	-----	-----	-----	-----	-----	3	----	1	7.62	5.08	11.94	8.13
87898-0362	-----	-----	-----	-----	-----	3	----	2	7.62	5.08	11.94	8.13
87898-0364	-----	-----	-----	-----	87898-0369	3	----	4	7.62	5.08	11.94	8.13
87898-0365	-----	-----	-----	-----	-----	3	----	5	7.62	5.08	11.94	8.13
87898-0366	-----	-----	87898-0367	-----	87898-0368	3	----	6	7.62	5.08	11.94	8.13

SEE SHEET 1 EC NO: S2016-0620 DRWN: MRAMAKRI SHNA 2016/01/06 CHKD: MRAMAKRI SHNA 2016/01/06 APPR: ISHWARG 2016/01/11	QUALITY SYMBOLS	GENERAL TOLERANCES (UNLESS SPECIFIED)	DIMENSION STYLE MM ONLY	SCALE NTS	DESIGN UNITS METRIC	THIRD ANGLE PROJECTION
	$\nabla_A = 0$	mm INCH	DRAWN BY DATE	TITLE	CUSTOM HEADER 2.54MM PITCH SINGLE ROW SINGLE WAFER SMT HEADER molex DOCUMENT NO. SD-87898-003 SHEET NO. 4 OF 17	
	$\nabla_G = 0$	4 PLACES ± --- ± ---	SKL IM01 2005/10/26			
	$\nabla_F = 0$	3 PLACES ± --- ± ---	CHECKED BY DATE			
	$\nabla_E = 0$	2 PLACES ± 0.2 ± ---	NAGESHKN 2005/10/30			
	1 PLACE ± --- ± ---	APPROVED BY DATE				
	0 PLACE ± ±	PTL IM 2005/11/07	MATERIAL NO.	SEE TABLE		
	ANGULAR ± 3 °	DRAFT WHERE APPLICABLE MUST REMAIN WITHIN DIMENSIONS	SIZE A3	THIS DRAWING CONTAINS INFORMATION THAT IS PROPRIETARY TO MOLEX INCORPORATED AND SHOULD NOT BE USED WITHOUT WRITTEN PERMISSION		

PACKAGING OPTION PART NO.

TRY WITHOUT CAP	TRY WITH CAP	TUBE WITHOUT CAP	TUBE WITH CAP	TAPE & REEL WITHOUT CAP	TAPE & REEL WITH CAP	CKT SIZE	PEG	VOID POSITION	PLATING TYPE	DIMENSION			
										A	B	F	M
-----	-----	87898-0461	-----	-----	-----	4	---	----	1	10.16	7.62	11.94	8.13
-----	-----	87898-0462	-----	-----	-----	4	---	----	2	10.16	7.62	11.94	8.13
-----	-----	87898-0464	-----	-----	-----	4	---	----	4	10.16	7.62	11.94	8.13
-----	-----	87898-0465	-----	-----	-----	4	---	----	5	10.16	7.62	11.94	8.13
-----	-----	87898-0466	-----	-----	87898-0467	4	---	----	6	10.16	7.62	11.94	8.13
-----	-----	-----	-----	-----	87898-0468	4	Y	----	6	10.16	7.62	11.94	8.13
-----	-----	87898-0561	-----	-----	-----	5	---	----	1	12.70	10.16	11.94	8.13
-----	-----	87898-0562	-----	-----	-----	5	---	----	2	12.70	10.16	11.94	8.13
-----	-----	87898-0564	-----	-----	-----	5	---	----	4	12.70	10.16	11.94	8.13
-----	-----	87898-0565	-----	-----	-----	5	---	----	5	12.70	10.16	11.94	8.13
-----	-----	87898-0566	87898-0567	-----	87898-0568	5	---	----	6	12.70	10.16	11.94	8.13
-----	-----	87898-0661	-----	-----	-----	6	---	----	1	15.24	12.70	11.94	8.13
-----	-----	87898-0662	-----	-----	-----	6	---	----	2	15.24	12.70	11.94	8.13
-----	-----	87898-0664	-----	-----	-----	6	---	----	4	15.24	12.70	11.94	8.13
-----	-----	87898-0665	-----	-----	-----	6	---	----	5	15.24	12.70	11.94	8.13
-----	-----	87898-0666	-----	-----	-----	6	---	----	6	15.24	12.70	11.94	8.13


4 CKT WITH PEG
FOR ILLUSTRATION ONLY



UPDATE SHT 3 EC NO: S2016-0620 DRWN: MRAMAKRI SHNA 2016/01/06 CH'KD: MRAMAKRI SHNA 2016/01/06 APPR: SHMARG 2016/01/11	QUALITY SYMBOLS $\nabla F=0$ $\nabla F=0$ $\nabla F=0$	GENERAL TOLERANCES (UNLESS SPECIFIED) mm INCH 4 PLACES ± --- ± --- 3 PLACES ± --- ± --- 2 PLACES ± 0.2 ± --- 1 PLACE ± --- ± --- 0 PLACE ± ±	DIMENSION STYLE MM ONLY DRAWN BY: SKL IM01 DATE: 2005/10/26 CHECKED BY: DATE: NAGESHKN 2005/10/30 APPROVED BY: DATE: PTL IM 2005/11/07	SCALE: NTS DESIGN UNITS: METRIC THIRD ANGLE PROJECTION	TITLE CUSTOM HEADER 2.54MM PITCH SINGLE ROW SINGLE WAFER SMT HEADER
	DRAFT WHERE APPLICABLE MUST REMAIN WITHIN DIMENSIONS	MATERIAL NO. DOCUMENT NO.	SEE TABLE SD-87898-003	SHEET NO. 5 OF 17	
	SIZE: A3	THIS DRAWING CONTAINS INFORMATION THAT IS PROPRIETARY TO MOLEX INCORPORATED AND SHOULD NOT BE USED WITHOUT WRITTEN PERMISSION			
	REV: B7				

PACKAGING OPTION PART NO.						CKT SIZE	VOID POSITION	PLATING TYPE	DIMENSION			
TRY WITHOUT CAP	TRY WITH CAP	TUBE WITHOUT CAP	TUBE WITH CAP	TAPE & REEL WITHOUT CAP	TAPE & REEL WITH CAP				A	B	F	M
-----	-----	87898-07261	-----	-----	-----	7	----	1	17.78	15.24	11.94	8.13
-----	-----	87898-0762	-----	-----	-----	7	----	2	17.78	15.24	11.94	8.13
-----	-----	87898-0764	-----	-----	-----	7	----	4	17.78	15.24	11.94	8.13
-----	-----	87898-0765	-----	-----	-----	7	----	5	17.78	15.24	11.94	8.13
-----	-----	87898-0766	-----	-----	-----	7	----	6	17.78	15.24	11.94	8.13
-----	-----	87898-0861	-----	-----	-----	8	----	1	20.32	17.78	11.94	8.13
-----	-----	87898-0862	-----	-----	-----	8	----	2	20.32	17.78	11.94	8.13
-----	-----	87898-0864	-----	-----	-----	8	----	4	20.32	17.78	11.94	8.13
-----	-----	87898-0865	-----	-----	-----	8	----	5	20.32	17.78	11.94	8.13
-----	-----	87898-0866	-----	-----	-----	8	----	6	20.32	17.78	11.94	8.13
-----	-----	87898-0961	-----	-----	-----	9	----	1	22.86	20.32	11.94	8.13
-----	-----	87898-0962	-----	-----	-----	9	----	2	22.86	20.32	11.94	8.13
-----	-----	87898-0964	-----	-----	-----	9	----	4	22.86	20.32	11.94	8.13
-----	-----	87898-0965	-----	-----	-----	9	----	5	22.86	20.32	11.94	8.13
-----	-----	87898-0966	-----	-----	-----	9	----	6	22.86	20.32	11.94	8.13

-----	-----	-----	-----	-----	-----	-----	-----	-----	-----	-----	-----	-----
-------	-------	-------	-------	-------	-------	-------	-------	-------	-------	-------	-------	-------

SEE SHEET 1 EC NO: S2016-0620 DRW: MRAMAKRI SHINA 2016/01/06 CHK: MRAMAKRI SHINA 2016/01/06 APPR: ISHWARG 2016/01/11	QUALITY SYMBOLS	GENERAL TOLERANCES (UNLESS SPECIFIED)	DIMENSION STYLE	SCALE	DESIGN UNITS	THIRD ANGLE PROJECTION	
	$\nabla_F = 0$ $\nabla_{F'} = 0$ $\nabla_{F''} = 0$	mm INCH 4 PLACES ± --- ± --- 3 PLACES ± --- ± --- 2 PLACES ± 0.2 ± --- 1 PLACE ± --- ± --- 0 PLACE ± ±	MM ONLY	NTS	METRIC	DRAWN BY: SKL IM01 DATE: 2005/10/26 CHECKED BY: NAGESHKN DATE: 2005/10/30 APPROVED BY: PTL IM DATE: 2005/11/07	CUSTOM HEADER 2.54MM PITCH SINGLE ROW SINGLE WAFER SMT HEADER 
	ANGULAR ± 3 °	DRAFT WHERE APPLICABLE MUST REMAIN WITHIN DIMENSIONS	SEE TABLE	MATERIAL NO.	DOCUMENT NO.	SHEET NO.	
				THIS DRAWING CONTAINS INFORMATION THAT IS PROPRIETARY TO MOLEX INCORPORATED AND SHOULD NOT BE USED WITHOUT WRITTEN PERMISSION			

PACKAGING OPTION PART NO.

TRY WITHOUT CAP	TRY WITH CAP	TUBE WITHOUT CAP	TUBE WITH CAP	TAPE & REEL WITHOUT CAP	TAPE & REEL WITH CAP	CKT SIZE	VOID POSITION	PLATING TYPE	DIMENSION			
									A	B	F	M
-----	-----	87898-1061	-----	-----	-----	10	----	1	25.40	22.86	11.94	8.13
-----	-----	87898-1062	-----	-----	-----	10	----	2	25.40	22.86	11.94	8.13
-----	-----	87898-1064	-----	-----	-----	10	----	4	25.40	22.86	11.94	8.13
-----	-----	87898-1065	-----	-----	-----	10	----	5	25.40	22.86	11.94	8.13
-----	-----	87898-1066	-----	-----	-----	10	----	6	25.40	22.86	11.94	8.13
-----	-----	87898-1161	-----	-----	-----	11	----	1	27.94	25.40	11.94	8.13
-----	-----	87898-1162	-----	-----	-----	11	----	2	27.94	25.40	11.94	8.13
-----	-----	87898-1164	-----	-----	-----	11	----	4	27.94	25.40	11.94	8.13
-----	-----	87898-1165	-----	-----	-----	11	----	5	27.94	25.40	11.94	8.13
-----	-----	87898-1166	-----	-----	-----	11	----	6	27.94	25.40	11.94	8.13
-----	-----	87898-1261	-----	-----	-----	12	----	1	30.48	27.94	11.94	8.13
-----	-----	87898-1262	-----	-----	-----	12	----	2	30.48	27.94	11.94	8.13
-----	-----	87898-1264	-----	-----	-----	12	----	4	30.48	27.94	11.94	8.13
-----	-----	87898-1265	-----	-----	-----	12	----	5	30.48	27.94	11.94	8.13
-----	-----	87898-1266	-----	-----	-----	12	----	6	30.48	27.94	11.94	8.13

SEE SHEET 1 EC NO: S2016-0620 DRWN: MRAMAKRI SHNA 2016/01/06 CHKD: MRAMAKRI SHNA 2016/01/06 APPR: ISHWARG 2016/01/11	QUALITY SYMBOLS	GENERAL TOLERANCES (UNLESS SPECIFIED)	DIMENSION STYLE	SCALE	DESIGN UNITS	THIRD ANGLE PROJECTION	
	$\nabla_A = 0$ $\nabla_B = 0$ $\nabla_F = 0$	mm INCH	MM ONLY	NTS	METRIC		
		4 PLACES ± --- ± ---	DRAWN BY	DATE	TITLE		
		3 PLACES ± --- ± ---	SKL IM01	2005/10/26	CUSTOM HEADER 2.54MM PITCH SINGLE ROW SINGLE WAFER SMT HEADER		
		2 PLACES ± 0.2 ± ---	CHECKED BY	DATE			
	1 PLACE ± --- ± ---	NAGESHKN	2005/10/30	molex			
	0 PLACE ± ±	APPROVED BY	DATE				
	ANGULAR ± 3 °	PTL IM	2005/11/07	MATERIAL NO.	DOCUMENT NO.	SHEET NO.	
	DRAFT WHERE APPLICABLE MUST REMAIN WITHIN DIMENSIONS	SEE TABLE			SD-87898-003	7 OF 17	
		SIZE	THIS DRAWING CONTAINS INFORMATION THAT IS PROPRIETARY TO MOLEX INCORPORATED AND SHOULD NOT BE USED WITHOUT WRITTEN PERMISSION				
		A3					

PACKAGING OPTION PART NO.						CKT SIZE	VOID POSITION	PLATING TYPE	DIMENSION			
TRY WITHOUT CAP	TRY WITH CAP	TUBE WITHOUT CAP	TUBE WITH CAP	TAPE & REEL WITHOUT CAP	TAPE & REEL WITH CAP				A	B	F	M
-----	-----	87898-1361	-----	-----	-----	13	----	1	33.02	30.48	11.94	8.13
-----	-----	87898-1362	-----	-----	-----	13	----	2	33.02	30.48	11.94	8.13
-----	-----	87898-1364	-----	-----	-----	13	----	4	33.02	30.48	11.94	8.13
-----	-----	87898-1365	-----	-----	-----	13	----	5	33.02	30.48	11.94	8.13
-----	-----	87898-1366	-----	-----	-----	13	----	6	33.02	30.48	11.94	8.13
-----	-----	87898-1461	-----	-----	-----	14	----	1	35.56	33.02	11.94	8.13
-----	-----	87898-1462	-----	-----	-----	14	----	2	35.56	33.02	11.94	8.13
-----	-----	87898-1464	-----	-----	-----	14	----	4	35.56	33.02	11.94	8.13
-----	-----	87898-1465	-----	-----	-----	14	----	5	35.56	33.02	11.94	8.13
-----	-----	87898-1466	-----	-----	-----	14	----	6	35.56	33.02	11.94	8.13
-----	-----	87898-1561	-----	-----	-----	15	----	1	38.10	35.56	11.94	8.13
-----	-----	87898-1562	-----	-----	-----	15	----	2	38.10	35.56	11.94	8.13
-----	-----	87898-1564	-----	-----	-----	15	----	4	38.10	35.56	11.94	8.13
-----	-----	87898-1565	-----	-----	-----	15	----	5	38.10	35.56	11.94	8.13
-----	-----	87898-1566	-----	-----	-----	15	----	6	38.10	35.56	11.94	8.13

-----	-----	87898-1561	-----	-----	-----	15	----	1	38.10	35.56	11.94	8.13
-----	-----	87898-1562	-----	-----	-----	15	----	2	38.10	35.56	11.94	8.13
-----	-----	87898-1564	-----	-----	-----	15	----	4	38.10	35.56	11.94	8.13
-----	-----	87898-1565	-----	-----	-----	15	----	5	38.10	35.56	11.94	8.13
-----	-----	87898-1566	-----	-----	-----	15	----	6	38.10	35.56	11.94	8.13


SEE SHEET 1 EC NO: S2016-0620 DRW: MRAMAKRI SHINA 2016/01/06 CHK: MRAMAKRI SHINA 2016/01/06 APPR: ISHWARG 2016/01/11	QUALITY SYMBOLS	GENERAL TOLERANCES (UNLESS SPECIFIED)	DIMENSION STYLE	SCALE	DESIGN UNITS	THIRD ANGLE PROJECTION
	$\nabla_{\sqrt{2}}=0$ $\nabla_{\sqrt{3}}=0$ $\nabla_{\sqrt{4}}=0$	mm INCH 4 PLACES ± --- ± --- 3 PLACES ± --- ± --- 2 PLACES ± 0.2 ± --- 1 PLACE ± --- ± --- 0 PLACE ± ±	MM ONLY	NTS	METRIC	
	DRAWN BY: SKL IM01 DATE: 2005/10/26 CHECKED BY: NAGESHKN DATE: 2005/10/30 APPROVED BY: PTL IM DATE: 2005/11/07	MATERIAL NO. DOCUMENT NO.	TITLE CUSTOM HEADER 2.54MM PITCH SINGLE ROW SINGLE WAFER SMT HEADER			SHEET NO. 8 OF 17
	DRAFT WHERE APPLICABLE MUST REMAIN WITHIN DIMENSIONS	SEE TABLE	SD-87898-003	THIS DRAWING CONTAINS INFORMATION THAT IS PROPRIETARY TO MOLEX INCORPORATED AND SHOULD NOT BE USED WITHOUT WRITTEN PERMISSION		

PACKAGING OPTION PART NO.										CKT SIZE	VOID POSITION	PLATING TYPE	DIMENSION			
TRY WITHOUT CAP	TRY WITH CAP	TUBE WITHOUT CAP	TUBE WITH CAP	TAPE & REEL WITHOUT CAP	TAPE & REEL WITH CAP	A	B	F	M							
F	-----	-----	87898-1661	-----	-----	16	----	1	40.64	38.10	11.94	8.13				
	-----	-----	87898-1662	-----	-----	16	----	2	40.64	38.10	11.94	8.13				
	-----	-----	87898-1664	-----	-----	16	----	4	40.64	38.10	11.94	8.13				
	-----	-----	87898-1665	-----	-----	16	----	5	40.64	38.10	11.94	8.13				
	-----	-----	87898-1666	-----	-----	16	----	6	40.64	38.10	11.94	8.13				
E																
	-----	-----	87898-1761	-----	-----	17	----	1	43.18	40.64	11.94	8.13				
	-----	-----	87898-1762	-----	-----	17	----	2	43.18	40.64	11.94	8.13				
	-----	-----	87898-1764	-----	-----	17	----	4	43.18	40.64	11.94	8.13				
	-----	-----	87898-1765	-----	-----	17	----	5	43.18	40.64	11.94	8.13				
	-----	-----	87898-1766	-----	-----	17	----	6	43.18	40.64	11.94	8.13				
D																
	-----	-----	87898-1861	-----	-----	18	----	1	45.72	43.18	11.94	8.13				
	-----	-----	87898-1862	-----	-----	18	----	2	45.72	43.18	11.94	8.13				
	-----	-----	87898-1864	-----	-----	18	----	4	45.72	43.18	11.94	8.13				
	-----	-----	87898-1865	-----	-----	18	----	5	45.72	43.18	11.94	8.13				
	-----	-----	87898-1866	-----	-----	18	----	6	45.72	43.18	11.94	8.13				

SEE SHEET 1 EC NO: S2016-0620 DRW: N/RAKARI SHNA 2016/01/06 CHKD: N/RAKARI SHNA 2016/01/06 APPR: ISHWARG 2016/01/11	QUALITY SYMBOLS	GENERAL TOLERANCES (UNLESS SPECIFIED)		DIMENSION STYLE MM ONLY		SCALE NTS	DESIGN UNITS METRIC	THIRD ANGLE PROJECTION	
	$\nabla_F = 0$	4 PLACES	mm	INCH	DRAWN BY	DATE	TITLE CUSTOM HEADER 2.54MM PITCH SINGLE ROW SINGLE WAFER SMT HEADER molex DOCUMENT NO. SD-87898-003 SHEET NO. 9 OF 17		
	$\nabla_F = 0$	3 PLACES	± ---	± ---	CHECKED BY	DATE			
	$\nabla_F = 0$	2 PLACES	± 0.2	± ---	NAGESHKN	2005/10/30			
		1 PLACE	± ---	± ---	APPROVED BY	DATE			
	0 PLACE	±	±	PTL IM	2005/11/07				
		ANGULAR ± 3°		MATERIAL NO.		SEE TABLE			
		DRAFT WHERE APPLICABLE MUST REMAIN WITHIN DIMENSIONS		SIZE A3		THIS DRAWING CONTAINS INFORMATION THAT IS PROPRIETARY TO MOLEX INCORPORATED AND SHOULD NOT BE USED WITHOUT WRITTEN PERMISSION			

PACKAGING OPTION PART NO.

F	TRY WITHOUT CAP	TRY WITH CAP	TUBE WITHOUT CAP	TUBE WITH CAP	TAPE & REEL WITHOUT CAP	TAPE & REEL WITH CAP	CKT SIZE	VOID POSITION	PLATING TYPE	DIMENSION			
										A	B	F	M
	-----	-----	87898-1961	-----	-----	-----	19	----	1	48.26	45.72	11.94	8.13
	-----	-----	87898-1962	-----	-----	-----	19	----	2	48.26	45.72	11.94	8.13
	-----	-----	87898-1964	-----	-----	-----	19	----	4	48.26	45.72	11.94	8.13
	-----	-----	87898-1965	-----	-----	-----	19	----	5	48.26	45.72	11.94	8.13
	-----	-----	87898-1966	-----	-----	-----	19	----	6	48.26	45.72	11.94	8.13
E													
	-----	-----	87898-2061	-----	-----	-----	20	----	1	50.80	48.26	11.94	8.13
	-----	-----	87898-2062	-----	-----	-----	20	----	2	50.80	48.26	11.94	8.13
	-----	-----	87898-2064	-----	-----	-----	20	----	4	50.80	48.26	11.94	8.13
	-----	-----	87898-2065	-----	-----	-----	20	----	5	50.80	48.26	11.94	8.13
	-----	-----	87898-2066	-----	-----	-----	20	----	6	50.80	48.26	11.94	8.13
D													
	-----	-----	87898-2161	-----	-----	-----	21	----	1	53.34	50.80	11.94	8.13
	-----	-----	87898-2162	-----	-----	-----	21	----	2	53.34	50.80	11.94	8.13
	-----	-----	87898-2164	-----	-----	-----	21	----	4	53.34	50.80	11.94	8.13
	-----	-----	87898-2165	-----	-----	-----	21	----	5	53.34	50.80	11.94	8.13
	-----	-----	87898-2166	-----	-----	-----	21	----	6	53.34	50.80	11.94	8.13

SEE SHEET 1 EC NO: S2016-0620 DRWN: MRAMAKRI SHNA 2016/01/06 CHYD: MRAMAKRI SHNA 2016/01/06 APPR: ISHWARG 2016/01/11	QUALITY SYMBOLS	GENERAL TOLERANCES (UNLESS SPECIFIED)	DIMENSION STYLE	SCALE	DESIGN UNITS	THIRD ANGLE PROJECTION	
	$\nabla_F = 0$ $\nabla_{F/2} = 0$ $\nabla_{F/4} = 0$	mm INCH 4 PLACES ± --- ± --- 3 PLACES ± --- ± --- 2 PLACES ± 0.2 ± --- 1 PLACE ± --- ± --- 0 PLACE ± ±	MM ONLY	NTS	METRIC	☉ □ THIRD ANGLE PROJECTION	
		ANGULAR ± 3°	DRAWN BY	DATE	TITLE		
		DRAFT WHERE APPLICABLE MUST REMAIN WITHIN DIMENSIONS	SKL IM01	2005/10/26	CUSTOM HEADER 2.54MM PITCH SINGLE ROW SINGLE WAFER SMT HEADER		
			CHECKED BY	DATE			
		NAGESHKN	2005/10/30	MATERIAL NO. DOCUMENT NO. SHEET NO. SEE TABLE SD-87898-003 10 OF 17			
		APPROVED BY	DATE	THIS DRAWING CONTAINS INFORMATION THAT IS PROPRIETARY TO MOLEX INCORPORATED AND SHOULD NOT BE USED WITHOUT WRITTEN PERMISSION			
		PTL IM	2005/11/07				

PACKAGING OPTION PART NO.						CKT SIZE	VOID POSITION	PLATING TYPE	DIMENSION			
TRY WITHOUT CAP	TRY WITH CAP	TUBE WITHOUT CAP	TUBE WITH CAP	TAPE & REEL WITHOUT CAP	TAPE & REEL WITH CAP				A	B	F	M
-----	-----	87898-2261	-----	-----	-----	22	----	1	55.88	53.34	11.94	8.13
-----	-----	87898-2262	-----	-----	-----	22	----	2	55.88	53.34	11.94	8.13
-----	-----	87898-2264	-----	-----	-----	22	----	4	55.88	53.34	11.94	8.13
-----	-----	87898-2265	-----	-----	-----	22	----	5	55.88	53.34	11.94	8.13
-----	-----	87898-2266	-----	-----	-----	22	----	6	55.88	53.34	11.94	8.13
-----	-----	87898-2361	-----	-----	-----	23	----	1	58.42	55.88	11.94	8.13
-----	-----	87898-2362	-----	-----	-----	23	----	2	58.42	55.88	11.94	8.13
-----	-----	87898-2364	-----	-----	-----	23	----	4	58.42	55.88	11.94	8.13
-----	-----	87898-2365	-----	-----	-----	23	----	5	58.42	55.88	11.94	8.13
-----	-----	87898-2366	-----	-----	-----	23	----	6	58.42	55.88	11.94	8.13
-----	-----	87898-2461	-----	-----	-----	24	----	1	60.96	58.42	11.94	8.13
-----	-----	87898-2462	-----	-----	-----	24	----	2	60.96	58.42	11.94	8.13
-----	-----	87898-2464	-----	-----	-----	24	----	4	60.96	58.42	11.94	8.13
-----	-----	87898-2465	-----	-----	-----	24	----	5	60.96	58.42	11.94	8.13
-----	-----	87898-2466	-----	-----	-----	24	----	6	60.96	58.42	11.94	8.13

B

SEE SHEET 1 EC NO: S2016-0620 DRW: NRAMAKRI SHINA 2016/01/06 CHKD: NRAMAKRI SHINA 2016/01/06 APPR: ISHWARG 2016/01/11	QUALITY SYMBOLS	GENERAL TOLERANCES (UNLESS SPECIFIED)	DIMENSION STYLE MM ONLY	SCALE NTS	DESIGN UNITS METRIC	THIRD ANGLE PROJECTION
	▽=0	mm INCH	DRAWN BY DATE	TITLE CUSTOM HEADER 2.54MM PITCH SINGLE ROW SINGLE WAFER SMT HEADER SD-87898-003		
	▽=0	4 PLACES ± --- ± ---	SKL IM01 2005/10/26			
	▽=0	3 PLACES ± --- ± ---	CHECKED BY DATE			
▽=0	2 PLACES ± 0.2 ± ---	NAGESHKN 2005/10/30				
	1 PLACE ± --- ± ---	APPROVED BY DATE	MATERIAL NO. DOCUMENT NO. SHEET NO. SEE TABLE SD-87898-003 11 OF 17			
	0 PLACE ± ±	PTL IM 2005/11/07				
B7	ANGULAR ± 3 °	DRAFT WHERE APPLICABLE MUST REMAIN WITHIN DIMENSIONS		THIS DRAWING CONTAINS INFORMATION THAT IS PROPRIETARY TO MOLEX INCORPORATED AND SHOULD NOT BE USED WITHOUT WRITTEN PERMISSION		

PACKAGING OPTION PART NO.						CKT SIZE	VOID POSITION	PLATING TYPE	DIMENSION			
TRY WITHOUT CAP	TRY WITH CAP	TUBE WITHOUT CAP	TUBE WITH CAP	TAPE & REEL WITHOUT CAP	TAPE & REEL WITH CAP				A	B	F	M
-----	-----	87898-2561	-----	-----	-----	25	----	1	63.50	60.96	11.94	8.13
-----	-----	87898-2562	-----	-----	-----	25	----	2	63.50	60.96	11.94	8.13
-----	-----	87898-2564	-----	-----	-----	25	----	4	63.50	60.96	11.94	8.13
-----	-----	87898-2565	-----	-----	-----	25	----	5	63.50	60.96	11.94	8.13
-----	-----	87898-2566	-----	-----	-----	25	----	6	63.50	60.96	11.94	8.13
-----	-----	87898-2661	-----	-----	-----	26	----	1	66.04	63.50	11.94	8.13
-----	-----	87898-2662	-----	-----	-----	26	----	2	66.04	63.50	11.94	8.13
-----	-----	87898-2664	-----	-----	-----	26	----	4	66.04	63.50	11.94	8.13
-----	-----	87898-2665	-----	-----	-----	26	----	5	66.04	63.50	11.94	8.13
-----	-----	87898-2666	-----	-----	-----	26	----	6	66.04	63.50	11.94	8.13
-----	-----	87898-2761	-----	-----	-----	27	----	1	68.58	66.04	11.94	8.13
-----	-----	87898-2762	-----	-----	-----	27	----	2	68.58	66.04	11.94	8.13
-----	-----	87898-2764	-----	-----	-----	27	----	4	68.58	66.04	11.94	8.13
-----	-----	87898-2765	-----	-----	-----	27	----	5	68.58	66.04	11.94	8.13
-----	-----	87898-2766	-----	-----	-----	27	----	6	68.58	66.04	11.94	8.13

SEE SHEET 1 EC NO: S2016-0620 DRWN: HRAMAKRI SHNA 2016/01/06 CHKD: HRAMAKRI SHNA 2016/01/06 APPR: ISHWARG 2016/01/11	QUALITY SYMBOLS	GENERAL TOLERANCES (UNLESS SPECIFIED)	DIMENSION STYLE	SCALE	DESIGN UNITS	THIRD ANGLE PROJECTION																		
	$\nabla_F = 0$ $\nabla_{F'} = 0$ $\nabla_{F''} = 0$	<table border="1"> <tr><th colspan="2">mm</th><th>INCH</th></tr> <tr><td>4 PLACES</td><td>± ---</td><td>± ---</td></tr> <tr><td>3 PLACES</td><td>± ---</td><td>± ---</td></tr> <tr><td>2 PLACES</td><td>± 0.2</td><td>± ---</td></tr> <tr><td>1 PLACE</td><td>± ---</td><td>± ---</td></tr> <tr><td>0 PLACE</td><td>±</td><td>±</td></tr> </table>	mm		INCH	4 PLACES	± ---	± ---	3 PLACES	± ---	± ---	2 PLACES	± 0.2	± ---	1 PLACE	± ---	± ---	0 PLACE	±	±	MM ONLY	NTS	METRIC	
	mm		INCH																					
	4 PLACES	± ---	± ---																					
3 PLACES	± ---	± ---																						
2 PLACES	± 0.2	± ---																						
1 PLACE	± ---	± ---																						
0 PLACE	±	±																						
DRAWN BY: SKL IM01 CHECKED BY: NAGESHKN APPROVED BY: PTL IM DATE: 2005/10/26 DATE: 2005/10/30 DATE: 2005/11/07	MATERIAL NO. SEE TABLE DRAFT WHERE APPLICABLE MUST REMAIN WITHIN DIMENSIONS	TITLE CUSTOM HEADER 2.54MM PITCH SINGLE ROW SINGLE WAFER SMT HEADER 																						
B7	ANGULAR ± 3 ° THIS DRAWING CONTAINS INFORMATION THAT IS PROPRIETARY TO MOLEX INCORPORATED AND SHOULD NOT BE USED WITHOUT WRITTEN PERMISSION	DOCUMENT NO. SD-87898-003 SHEET NO. 12 OF 17																						

PACKAGING OPTION PART NO.										CKT SIZE	VOID POSITION	PLATING TYPE	DIMENSION			
TRY WITHOUT CAP	TRY WITH CAP	TUBE WITHOUT CAP	TUBE WITH CAP	TAPE & REEL WITHOUT CAP	TAPE & REEL WITH CAP	A	B	F	M							
-----	-----	87898-2861	-----	-----	-----	28	----	1	71.12	68.58	11.94	8.13				
-----	-----	87898-2862	-----	-----	-----	28	----	2	71.12	68.58	11.94	8.13				
-----	-----	87898-2864	-----	-----	-----	28	----	4	71.12	68.58	11.94	8.13				
-----	-----	87898-2865	-----	-----	-----	28	----	5	71.12	68.58	11.94	8.13				
-----	-----	87898-2866	-----	-----	-----	28	----	6	71.12	68.58	11.94	8.13				
-----	-----	87898-2961	-----	-----	-----	29	----	1	73.66	71.12	11.94	8.13				
-----	-----	87898-2962	-----	-----	-----	29	----	2	73.66	71.12	11.94	8.13				
-----	-----	87898-2964	-----	-----	-----	29	----	4	73.66	71.12	11.94	8.13				
-----	-----	87898-2965	-----	-----	-----	29	----	5	73.66	71.12	11.94	8.13				
-----	-----	87898-2966	-----	-----	-----	29	----	6	73.66	71.12	11.94	8.13				
-----	-----	87898-3061	-----	-----	-----	30	----	1	76.20	73.66	11.94	8.13				
-----	-----	87898-3062	-----	-----	-----	30	----	2	76.20	73.66	11.94	8.13				
-----	-----	87898-3064	-----	-----	-----	30	----	4	76.20	73.66	11.94	8.13				
-----	-----	87898-3065	-----	-----	-----	30	----	5	76.20	73.66	11.94	8.13				
-----	-----	87898-3066	-----	-----	-----	30	----	6	76.20	73.66	11.94	8.13				

-----	-----	87898-3061	-----	-----	-----	30	----	1	76.20	73.66	11.94	8.13
-----	-----	87898-3062	-----	-----	-----	30	----	2	76.20	73.66	11.94	8.13
-----	-----	87898-3064	-----	-----	-----	30	----	4	76.20	73.66	11.94	8.13
-----	-----	87898-3065	-----	-----	-----	30	----	5	76.20	73.66	11.94	8.13
-----	-----	87898-3066	-----	-----	-----	30	----	6	76.20	73.66	11.94	8.13

SEE SHEET 1 EC NO: S2016-0620 DRW: MRAMAKRI SHINA 2016/01/06 CHK: MRAMAKRI SHINA 2016/01/06 APPR: ISHWARG 2016/01/11	QUALITY SYMBOLS	GENERAL TOLERANCES (UNLESS SPECIFIED)	DIMENSION STYLE	SCALE	DESIGN UNITS	THIRD ANGLE PROJECTION																								
	$\nabla_{\sqrt{2}}=0$ $\nabla_{\sqrt{3}}=0$ $\nabla_{\sqrt{4}}=0$	<table border="1"> <tr><th colspan="2">mm</th><th>INCH</th></tr> <tr><td>4 PLACES</td><td>± ---</td><td>± ---</td></tr> <tr><td>3 PLACES</td><td>± ---</td><td>± ---</td></tr> <tr><td>2 PLACES</td><td>± 0.2</td><td>± ---</td></tr> <tr><td>1 PLACE</td><td>± ---</td><td>± ---</td></tr> <tr><td>0 PLACE</td><td>±</td><td>±</td></tr> </table>	mm		INCH	4 PLACES	± ---	± ---	3 PLACES	± ---	± ---	2 PLACES	± 0.2	± ---	1 PLACE	± ---	± ---	0 PLACE	±	±	MM ONLY	NTS	METRIC							
	mm		INCH																											
	4 PLACES	± ---	± ---																											
3 PLACES	± ---	± ---																												
2 PLACES	± 0.2	± ---																												
1 PLACE	± ---	± ---																												
0 PLACE	±	±																												
<table border="1"> <tr><th colspan="2">DRAWN BY</th><th>DATE</th></tr> <tr><td>SKL IM01</td><td></td><td>2005/10/26</td></tr> <tr><th colspan="2">CHECKED BY</th><th>DATE</th></tr> <tr><td>NAGESHKN</td><td></td><td>2005/10/30</td></tr> <tr><th colspan="2">APPROVED BY</th><th>DATE</th></tr> <tr><td>PTL IM</td><td></td><td>2005/11/07</td></tr> </table>	DRAWN BY		DATE	SKL IM01		2005/10/26	CHECKED BY		DATE	NAGESHKN		2005/10/30	APPROVED BY		DATE	PTL IM		2005/11/07	<table border="1"> <tr><th colspan="2">MATERIAL NO.</th><th>DOCUMENT NO.</th><th>SHEET NO.</th></tr> <tr><td colspan="2">SEE TABLE</td><td>SD-87898-003</td><td>13 OF 17</td></tr> </table>	MATERIAL NO.		DOCUMENT NO.	SHEET NO.	SEE TABLE		SD-87898-003	13 OF 17	CUSTOM HEADER 2.54MM PITCH SINGLE ROW SINGLE WAFER SMT HEADER 		
DRAWN BY		DATE																												
SKL IM01		2005/10/26																												
CHECKED BY		DATE																												
NAGESHKN		2005/10/30																												
APPROVED BY		DATE																												
PTL IM		2005/11/07																												
MATERIAL NO.		DOCUMENT NO.	SHEET NO.																											
SEE TABLE		SD-87898-003	13 OF 17																											
DRAFT WHERE APPLICABLE MUST REMAIN WITHIN DIMENSIONS	THIS DRAWING CONTAINS INFORMATION THAT IS PROPRIETARY TO MOLEX INCORPORATED AND SHOULD NOT BE USED WITHOUT WRITTEN PERMISSION																													

PACKAGING OPTION PART NO.						CKT SIZE	VOID POSITION	PLATING TYPE	DIMENSION			
TRY WITHOUT CAP	TRY WITH CAP	TUBE WITHOUT CAP	TUBE WITH CAP	TAPE & REEL WITHOUT CAP	TAPE & REEL WITH CAP				A	B	F	M
-----	-----	87898-3161	-----	-----	-----	31	----	1	78.74	76.20	11.94	8.13
-----	-----	87898-3162	-----	-----	-----	31	----	2	78.74	76.20	11.94	8.13
-----	-----	87898-3164	-----	-----	-----	31	----	4	78.74	76.20	11.94	8.13
-----	-----	87898-3165	-----	-----	-----	31	----	5	78.74	76.20	11.94	8.13
-----	-----	87898-3166	-----	-----	-----	31	----	6	78.74	76.20	11.94	8.13
-----	-----	87898-3261	-----	-----	-----	32	----	1	81.28	78.74	11.94	8.13
-----	-----	87898-3262	-----	-----	-----	32	----	2	81.28	78.74	11.94	8.13
-----	-----	87898-3264	-----	-----	-----	32	----	4	81.28	78.74	11.94	8.13
-----	-----	87898-3265	-----	-----	-----	32	----	5	81.28	78.74	11.94	8.13
-----	-----	87898-3266	-----	-----	-----	32	----	6	81.28	78.74	11.94	8.13
-----	-----	87898-3361	-----	-----	-----	33	----	1	83.82	81.28	11.94	8.13
-----	-----	87898-3362	-----	-----	-----	33	----	2	83.82	81.28	11.94	8.13
-----	-----	87898-3364	-----	-----	-----	33	----	4	83.82	81.28	11.94	8.13
-----	-----	87898-3365	-----	-----	-----	33	----	5	83.82	81.28	11.94	8.13
-----	-----	87898-3366	-----	-----	-----	33	----	6	83.82	81.28	11.94	8.13

B

A

SEE SHEET 1 EC NO: S2016-0620 DRWN: MRAMAKRI SHNA 2016/01/06 CH'KD: MRAMAKRI SHNA 2016/01/06 APPR: SHMARG 2016/01/11	QUALITY SYMBOLS	GENERAL TOLERANCES (UNLESS SPECIFIED)	DIMENSION STYLE	SCALE	DESIGN UNITS	THIRD ANGLE PROJECTION
	$\nabla = 0$ $\nabla = 0$ $\nabla = 0$	mm INCH 4 PLACES ± --- ± --- 3 PLACES ± --- ± --- 2 PLACES ± 0.2 ± --- 1 PLACE ± --- ± --- 0 PLACE ± ±	MM ONLY	NTS	METRIC	
	REV	DESCRIPTION	DRAWN BY: SKL IM01 DATE: 2005/10/26 CHECKED BY: NAGESHKN DATE: 2005/10/30 APPROVED BY: PTL IM DATE: 2005/11/07	TITLE		CUSTOM HEADER 2.54MM PITCH SINGLE ROW SINGLE WAFER SMT HEADER
	B7	ANGULAR ± 3 ° DRAFT WHERE APPLICABLE MUST REMAIN WITHIN DIMENSIONS	MATERIAL NO. DOCUMENT NO.	SEE TABLE	SD-87898-003	
			SIZE: A3 THIS DRAWING CONTAINS INFORMATION THAT IS PROPRIETARY TO MOLEX INCORPORATED AND SHOULD NOT BE USED WITHOUT WRITTEN PERMISSION		SHEET NO. 14 OF 17	

PACKAGING OPTION PART NO.										CKT SIZE	VOID POSITION	PLATING TYPE	DIMENSION			
TRY WITHOUT CAP	TRY WITH CAP	TUBE WITHOUT CAP	TUBE WITH CAP	TAPE & REEL WITHOUT CAP	TAPE & REEL WITH CAP	A	B	F	M							
-----	-----	87898-3461	-----	-----	-----	34	-----	1	86.36	83.82	11.94	8.13				
-----	-----	87898-3462	-----	-----	-----	34	-----	2	86.36	83.82	11.94	8.13				
-----	-----	87898-3464	-----	-----	-----	34	-----	4	86.36	83.82	11.94	8.13				
-----	-----	87898-3465	-----	-----	-----	34	-----	5	86.36	83.82	11.94	8.13				
-----	-----	87898-3466	-----	-----	-----	34	-----	6	86.36	83.82	11.94	8.13				
-----	-----	87898-3561	-----	-----	-----	35	-----	1	88.90	86.36	11.94	8.13				
-----	-----	87898-3562	-----	-----	-----	35	-----	2	88.90	86.36	11.94	8.13				
-----	-----	87898-3564	-----	-----	-----	35	-----	4	88.90	86.36	11.94	8.13				
-----	-----	87898-3565	-----	-----	-----	35	-----	5	88.90	86.36	11.94	8.13				
-----	-----	87898-3566	-----	-----	-----	35	-----	6	88.90	86.36	11.94	8.13				
-----	-----	87898-3661	-----	-----	-----	36	-----	1	91.44	88.90	11.94	8.13				
-----	-----	87898-3662	-----	-----	-----	36	-----	2	91.44	88.90	11.94	8.13				
-----	-----	87898-3664	-----	-----	-----	36	-----	4	91.44	88.90	11.94	8.13				
-----	-----	87898-3665	-----	-----	-----	36	-----	5	91.44	88.90	11.94	8.13				
-----	-----	87898-3666	-----	-----	-----	36	-----	6	91.44	88.90	11.94	8.13				

SEE SHEET 1 EC NO: S2016-0620 DRWN: MRAMAKRI SHNA 2016/01/06 CHYD: MRAMAKRI SHNA 2016/01/06 APPR: ISHWARG 2016/01/11	QUALITY SYMBOLS	GENERAL TOLERANCES (UNLESS SPECIFIED)	DIMENSION STYLE	SCALE	DESIGN UNITS	THIRD ANGLE PROJECTION
	$\nabla_{\sigma} = 0$ $\nabla_{\sigma} = 0$ $\nabla_{\sigma} = 0$	mm INCH 4 PLACES ± --- ± --- 3 PLACES ± --- ± --- 2 PLACES ± 0.2 ± --- 1 PLACE ± --- ± --- 0 PLACE ± ±	MM ONLY	NTS	METRIC	
	DRAWN BY: SKL IM01 DATE: 2005/10/26 CHECKED BY: NAGESHKN DATE: 2005/10/30 APPROVED BY: PTL IM DATE: 2005/11/07	MATERIAL NO. DOCUMENT NO.	TITLE CUSTOM HEADER 2.54MM PITCH SINGLE ROW SINGLE WAFER SMT HEADER			
	DRAFT WHERE APPLICABLE MUST REMAIN WITHIN DIMENSIONS	SIZE: A3 THIS DRAWING CONTAINS INFORMATION THAT IS PROPRIETARY TO MOLEX INCORPORATED AND SHOULD NOT BE USED WITHOUT WRITTEN PERMISSION	SEE TABLE	SD-87898-003	SHEET NO. 15 OF 17	

PACKAGING OPTION PART NO.

TRY WITHOUT CAP	TRY WITH CAP	TUBE WITHOUT CAP	TUBE WITH CAP	TAPE & REEL WITHOUT CAP	TAPE & REEL WITH CAP	CKT SIZE	VOID POSITION	PLATING TYPE	DIMENSION			
									A	B	F	M
-----	-----	87898-3761	-----	-----	-----	37	----	1	93.98	91.44	11.94	8.13
-----	-----	87898-3762	-----	-----	-----	37	----	2	93.98	91.44	11.94	8.13
-----	-----	87898-3764	-----	-----	-----	37	----	4	93.98	91.44	11.94	8.13
-----	-----	87898-3765	-----	-----	-----	37	----	5	93.98	91.44	11.94	8.13
-----	-----	87898-3766	-----	-----	-----	37	----	6	93.98	91.44	11.94	8.13
-----	-----	87898-3861	-----	-----	-----	38	----	1	96.52	93.98	11.94	8.13
-----	-----	87898-3862	-----	-----	-----	38	----	2	96.52	93.98	11.94	8.13
-----	-----	87898-3864	-----	-----	-----	38	----	4	96.52	93.98	11.94	8.13
-----	-----	87898-3865	-----	-----	-----	38	----	5	96.52	93.98	11.94	8.13
-----	-----	87898-3866	-----	-----	-----	38	----	6	96.52	93.98	11.94	8.13
-----	-----	87898-3961	-----	-----	-----	39	----	1	99.06	96.52	11.94	8.13
-----	-----	87898-3962	-----	-----	-----	39	----	2	99.06	96.52	11.94	8.13
-----	-----	87898-3964	-----	-----	-----	39	----	4	99.06	96.52	11.94	8.13
-----	-----	87898-3965	-----	-----	-----	39	----	5	99.06	96.52	11.94	8.13
-----	-----	87898-3966	-----	-----	-----	39	----	6	99.06	96.52	11.94	8.13

SEE SHEET 1 EC NO: S2016-0620 DRWN: MRAMAKRI SHINA 2016/01/06 CHKD: MRAMAKRI SHINA 2016/01/06 APPR: JSHMARG 2016/01/11	QUALITY SYMBOLS	GENERAL TOLERANCES (UNLESS SPECIFIED)	DIMENSION STYLE	SCALE	DESIGN UNITS	THIRD ANGLE PROJECTION	
	F=0 F=0 F=0	mm	INCH	MM ONLY	NTS	METRIC	
		4 PLACES	± ---	± ---	DRAWN BY	DATE	TITLE
		3 PLACES	± ---	± ---	SKL IM01	2005/10/26	CUSTOM HEADER 2.54MM PITCH SINGLE ROW SINGLE WAFER SMT HEADER
		2 PLACES	± 0.2	± ---	CHECKED BY	DATE	
1 PLACE		± ---	± ---	NAGESHKN	2005/10/30	molex	
0 PLACE	±	±	APPROVED BY	DATE			
		ANGULAR ± 3°	PTL IM	2005/11/07	MATERIAL NO.	DOCUMENT NO.	
		DRAFT WHERE APPLICABLE MUST REMAIN WITHIN DIMENSIONS	SEE TABLE		SD-87898-003	SHEET NO. 16 OF 17	

PACKAGING OPTION PART NO.

TRY WITHOUT CAP	TRY WITH CAP	TUBE WITHOUT CAP	TUBE WITH CAP	TAPE & REEL WITHOUT CAP	TAPE & REEL WITH CAP	CKT SIZE	VOID POSITION	PLATING TYPE	DIMENSION			
									A	B	F	M
-----	-----	87898-4061	-----	-----	-----	40	-----	1	101.6	99.06	11.94	8.13
-----	-----	87898-4062	-----	-----	-----	40	-----	2	101.6	99.06	11.94	8.13
-----	-----	87898-4064	-----	-----	-----	40	-----	4	101.6	99.06	11.94	8.13
-----	-----	87898-4065	-----	-----	-----	40	-----	5	101.6	99.06	11.94	8.13
-----	-----	87898-4066	-----	-----	-----	40	-----	6	101.6	99.06	11.94	8.13

SEE SHEET 1 EC NO: S2016-0620 DRWN: MRAMAKRI SHNA 2016/01/06 CHKD: MRAMAKRI SHNA 2016/01/06 APPR: ISHWARG 2016/01/11	QUALITY SYMBOLS	GENERAL TOLERANCES (UNLESS SPECIFIED)		DIMENSION STYLE MM ONLY		SCALE NTS	DESIGN UNITS METRIC	THIRD ANGLE PROJECTION	
	$\nabla_A = 0$	4 PLACES	mm	INCH	DRAWN BY	DATE	TITLE		
	$\nabla_G = 0$	3 PLACES	± ---	± ---	SKL IM01	2005/10/26	CUSTOM HEADER		
	$\nabla_F = 0$	2 PLACES	± ---	± ---	CHECKED BY	DATE	2.54MM PITCH SINGLE ROW		
		1 PLACE	± 0.2	± ---	NAGESHKN	2005/10/30	SINGLE WAFER SMT HEADER		
	0 PLACE	± ---	± ---	APPROVED BY	DATE	molex DOCUMENT NO. SD-87898-003 SHEET NO. 17 OF 17			
		±	±	PTL IM	2005/11/07				
		ANGULAR ± 3°		MATERIAL NO.					
	DRAFT WHERE APPLICABLE MUST REMAIN WITHIN DIMENSIONS			SEE TABLE					
				SIZE A3	THIS DRAWING CONTAINS INFORMATION THAT IS PROPRIETARY TO MOLEX INCORPORATED AND SHOULD NOT BE USED WITHOUT WRITTEN PERMISSION				